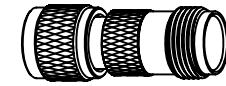
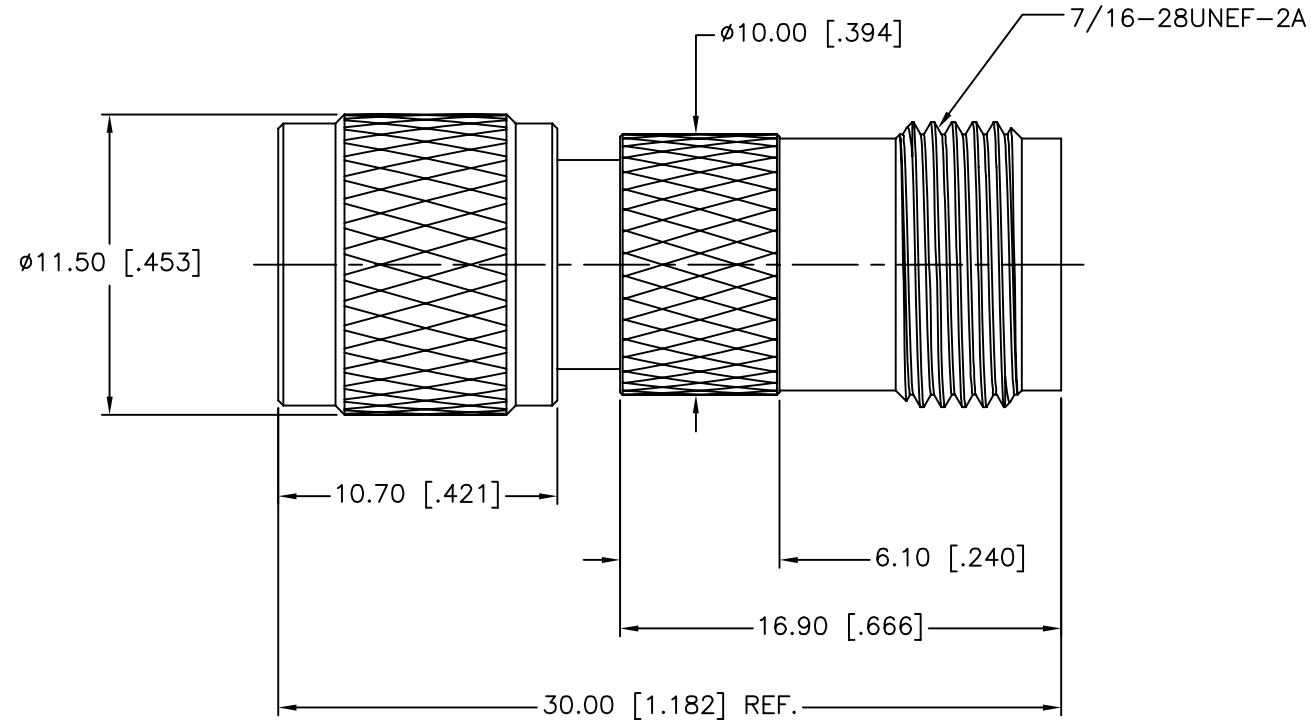


REV.	DATE	ECR NO.	DESCRIPTION
NC	03/15/10	XXXXXX	INITIAL RELEASE



SCALE  
1.500



<small>UNLESS OTHERWISE SPECIFIED DIMENSIONS ARE IN MILLIMETERS. DIMENSIONS IN [ ] ARE IN INCHES AND FOR CUSTOMER REFERENCE ONLY.</small> <small>UNLESS OTHERWISE SPECIFIED TOLERANCES FOR MILLIMETERS ARE:</small> 0.5 - 8mm $\pm$ 0.20mm 8 - 30mm $\pm$ 0.40mm 30 - 120mm $\pm$ 0.50mm <small>UNLESS OTHERWISE SPECIFIED TOLERANCES FOR INCHES ARE:</small> .020 - .315 = $\pm$ 0.007" .315 - 1.180 = $\pm$ 0.015" 1.180 - 4.724 = $\pm$ 0.020" DO NOT SCALE DRAWING	APPROVALS	DATE
	DRAWN K.LI	03/15/10
	CHECKED	
	ISSUED	
	SHEET 1 OF 1	
CAD FILE C:/CONNEX/242242.DWG		

# Amphenol Connex

PART DESCRIPTION			
MINI UHF MALE TO TNC FEMALE ADAPTER ( 50 OHM )			
PART NO.			
242242			
DWG. NO.	REV.	SIZE	SCALE
242242.DWG	NC	A	NA

QTY	FINISH	MATERIAL	DESCRIPTION
1	NICKEL	BRASS	BODY
1	NATURAL	PTFE	INSULATOR
1	GOLD	BERYLLIUM COPPER	CONTACT PIN