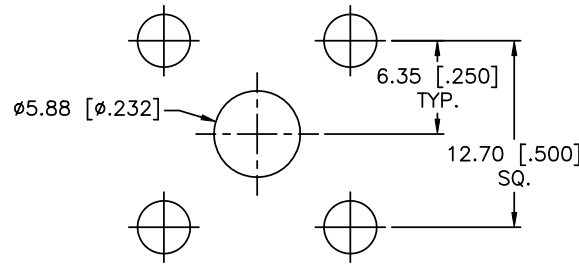


NOTES:

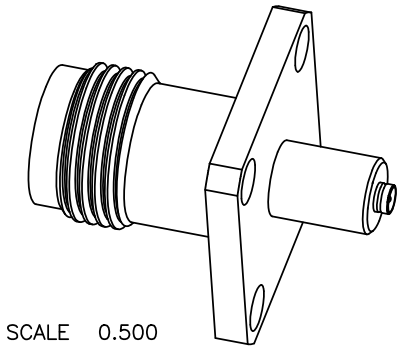
1. ELECTRICAL:
 - A. IMPEDANCE: 50 OHM
 - B. FREQUENCY RANGE: DC TO 6 GHz
 - C. VSWR (RETURN LOSS):
 - 1.3 MAX. @ DC TO 3 GHz,
 - 1.4 MAX. @ 3 GHz TO 6 GHz
2. MECHANICAL:
 - A. DURABILITY: TNC, 500 CYCLES MIN.
AMC, 30 CYCLES MIN.
 - B. TEMPERATURE RANGE: -65°C TO 165°C

REV.	DATE	ECR NO.	DESCRIPTION
NC	01/04/12	XXXXXX	INITIAL RELEASE

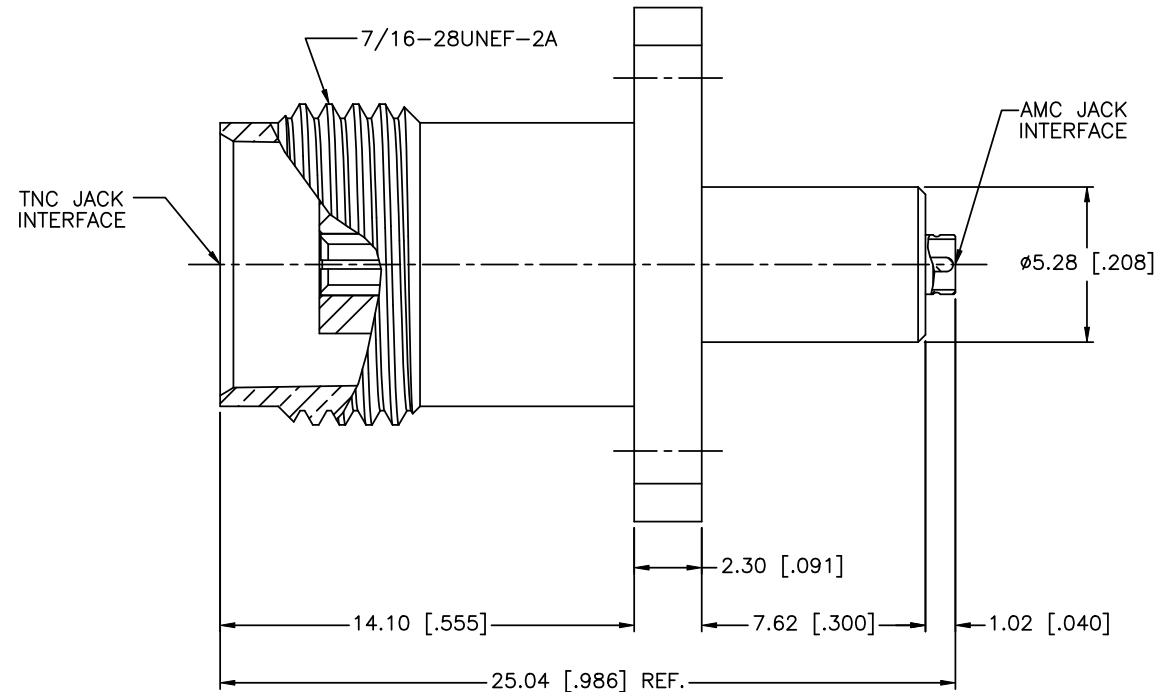
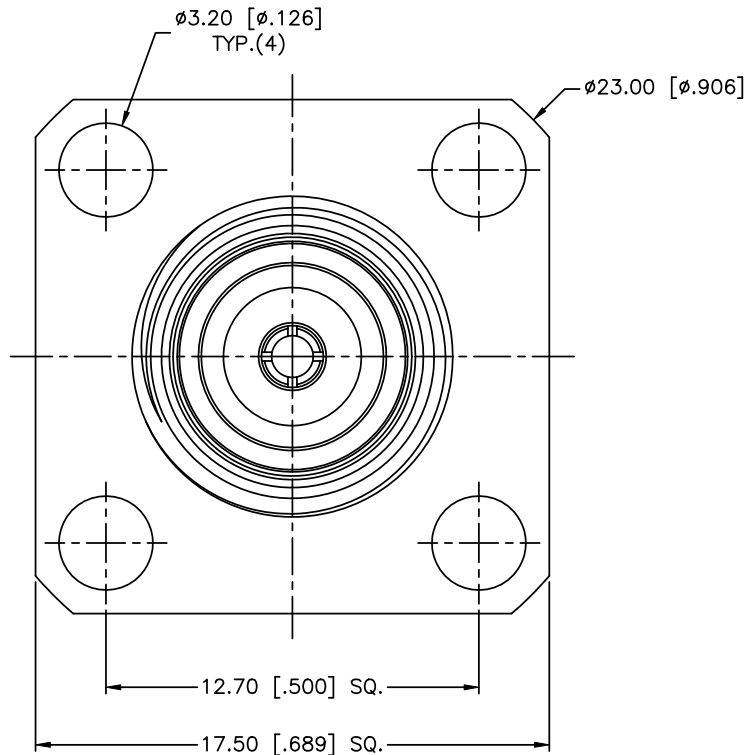


SCALE 0.500

RECOMMENDED MOUNTING HOLE



SCALE 0.500



UNLESS OTHERWISE SPECIFIED DIMENSIONS ARE IN MILLIMETERS. DIMENSIONS IN [] ARE IN INCHES AND FOR CUSTOMER REFERENCE ONLY.

UNLESS OTHERWISE SPECIFIED TOLERANCES FOR MILLIMETERS ARE:
 0.5 - 8mm ± 0.20mm
 8 - 30mm ± 0.40mm
 30 - 120mm ± 0.50mm

UNLESS OTHERWISE SPECIFIED TOLERANCES FOR INCHES ARE:
 .020 - .315 = ± 0.007"
 .315 - 1.180 = ± 0.015"
 1.180 - 4.724 = ± 0.020"

APPROVALS	DATE
DRAWN T.DENG	01/04/12
CHECKED	
ISSUED	
SHEET 1 OF 1	
CAD FILE	C:/CONNEX/242259.DWG

Amphenol Connex

PART DESCRIPTION
TNC JACK TO AMC JACK PANEL ADAPTER

PART NO. 242259

DWG. NO. 242259.DWG

REV. NC SIZE A SCALE NA

DO NOT SCALE DRAWING

QTY	FINISH	MATERIAL	DESCRIPTION
1	NEXCOTE	BRASS	BODY
1	GOLD	PHOSPHOR BRONZE	CONTACT PIN
1	NATURAL	PTFE	INSULATOR
1	NEXCOTE	BRASS	LOCK RING