

NOTE:

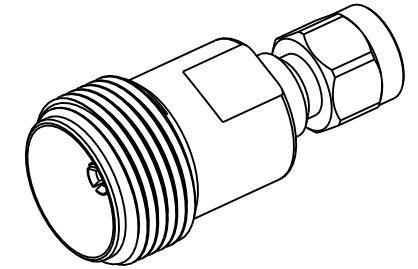
- 1. ELECTRIC PERFORMANCE
 - IMPEDANCE (Ω) : 50
 - FREQUENCY RANGE : DC-6GHz
 - VSWR : ≤ 1.065 (DC-3GHz)
 - : ≤ 1.2 (3-6GHz)
 - INSERT LOSS:(dB) : ≤ 0.1
 - INSERT RESISTANCE:($m\Omega$) : ≤ 5000
 - PIM(dBc) : ≤ -160 (2X43dBm)
 - PROOF VOLTAGE (V) : 1000
 - CONDUCTOR RESISTANCE ($m\Omega$) : OUTER CONDUCTOR <0.2
 - : INNER CONDUCTOR <2.5

- II. MECHANICAL PERFORMANCE
 - SMA NUT TORQUE : 0.9Nm
 - MECHANICAL WEAR : 500

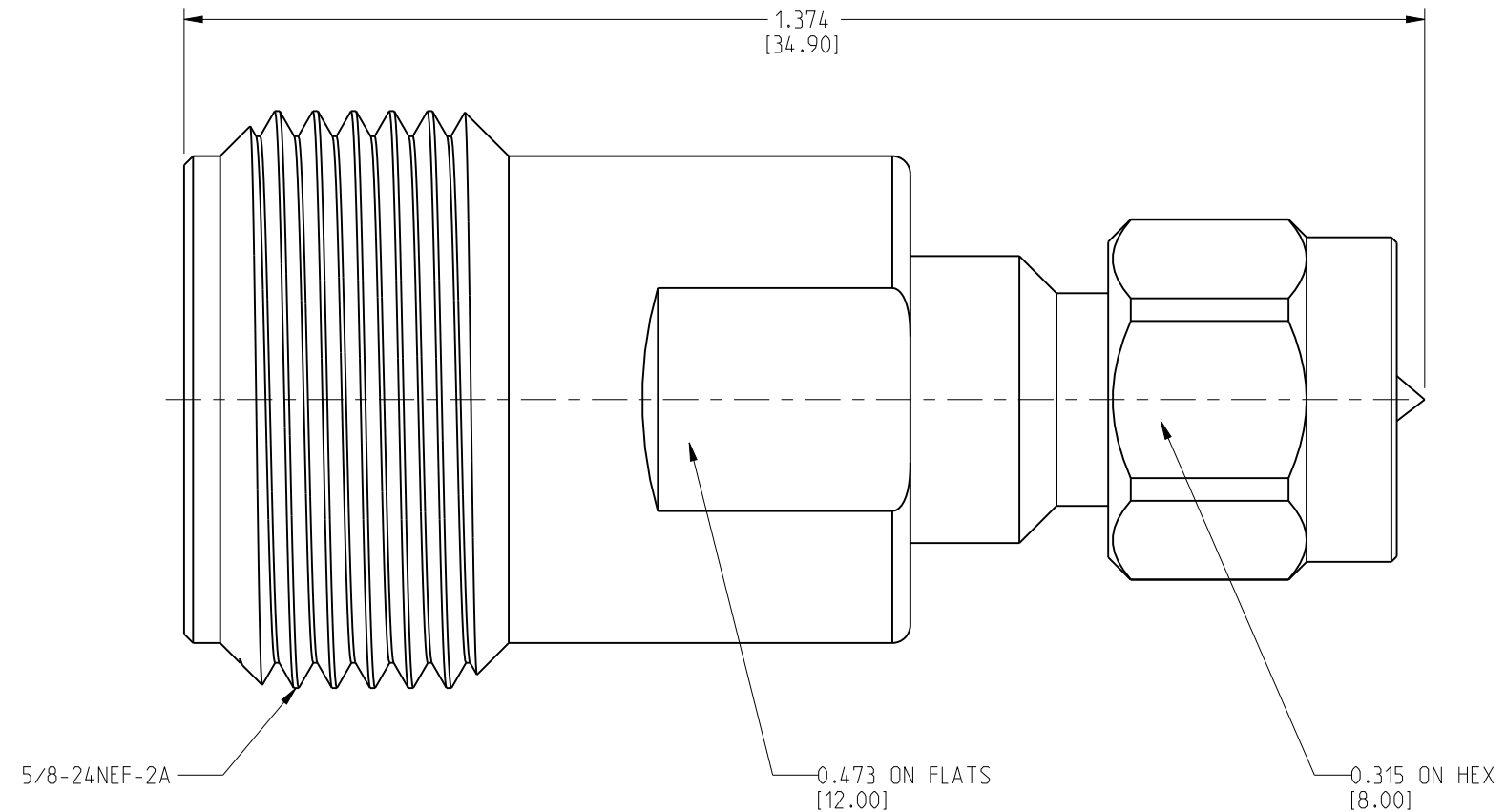
- III. MATERIAL AND PLATING
 - INNER CONDUCTOR : BRASS PLATING Ag5 μ m
 - OUTER CONDUCTOR : BRASS PLATING COPPER-TIN-ZINC 2 μ m
 - NUT : BRASS PLATING Ni5 μ m
 - INSULATOR : PTFE
 - ROHS COMPLIANT

- IV. ENVIRONMENT
 - TEMP RANGE : -55°C TO +155°C
 - WATERPROOF STANDARD : IP67
 - ROHS COMPLIANT

242265		REVISIONS			
DRAWING NO.	REV	DESCRIPTION	DATE	ECO	APPR
THIRD ANGLE PROJ.	A	RELEASE TO MFG	03-Oct-12	--	MG



SCALE 1.500



4	INSULATOR	PTFE	NATURAL	1
3	NUT	BRASS	NICKEL	1
2	INNER CONDUCTOR	BRASS	SILVER	1
1	OUTER CONDUCTOR	BRASS	WHITE BRONZE	1
NO	DESCRIPTION	MATERIAL	FINISH	QTY

UNLESS OTHERWISE SPECIFIED, DIMENSIONS ARE IN INCHES AND TOLERANCES ARE: 2 PLACE DECIMAL ± 0.015 (0,381 mm) 3 PLACE DECIMAL ± 0.005 (0,127 mm) ANGLES $\pm 1^\circ$	MATERIAL	DRAWN GOPI M	DATE 03-Oct-12	TITLE N FEMALE TO SMA MALE ADAPTER, LOW PIM	Amphenol Connex	
	REFERENCE	ENGINEER GOPI M	DATE 03-Oct-12			
NOTICE - These drawings, specifications, or other data (1) are, and remain the property of Amphenol Corp. (2) must be returned upon request; and (3) are confidential and not to be disclosed to any person other than those to whom they are given by Amphenol Corp. The furnishing of these drawings, specifications, or other data by Amphenol Corp., or to any other person to anyone for any purpose is not to be regarded by implication or otherwise in any manner licensing, granting rights or permitting such holder or any other person to manufacture, use or sell any product, process or design, patented or otherwise, that may in any way be related to or disclosed by said drawings, specifications, or other data.		APPROVED	DATE		SCALE: 5.0:1	SHEET 1 OF 1
		CAD FILE	DWG SIZE B	DRAWING NO. 242265	REV A	