

NOTE:

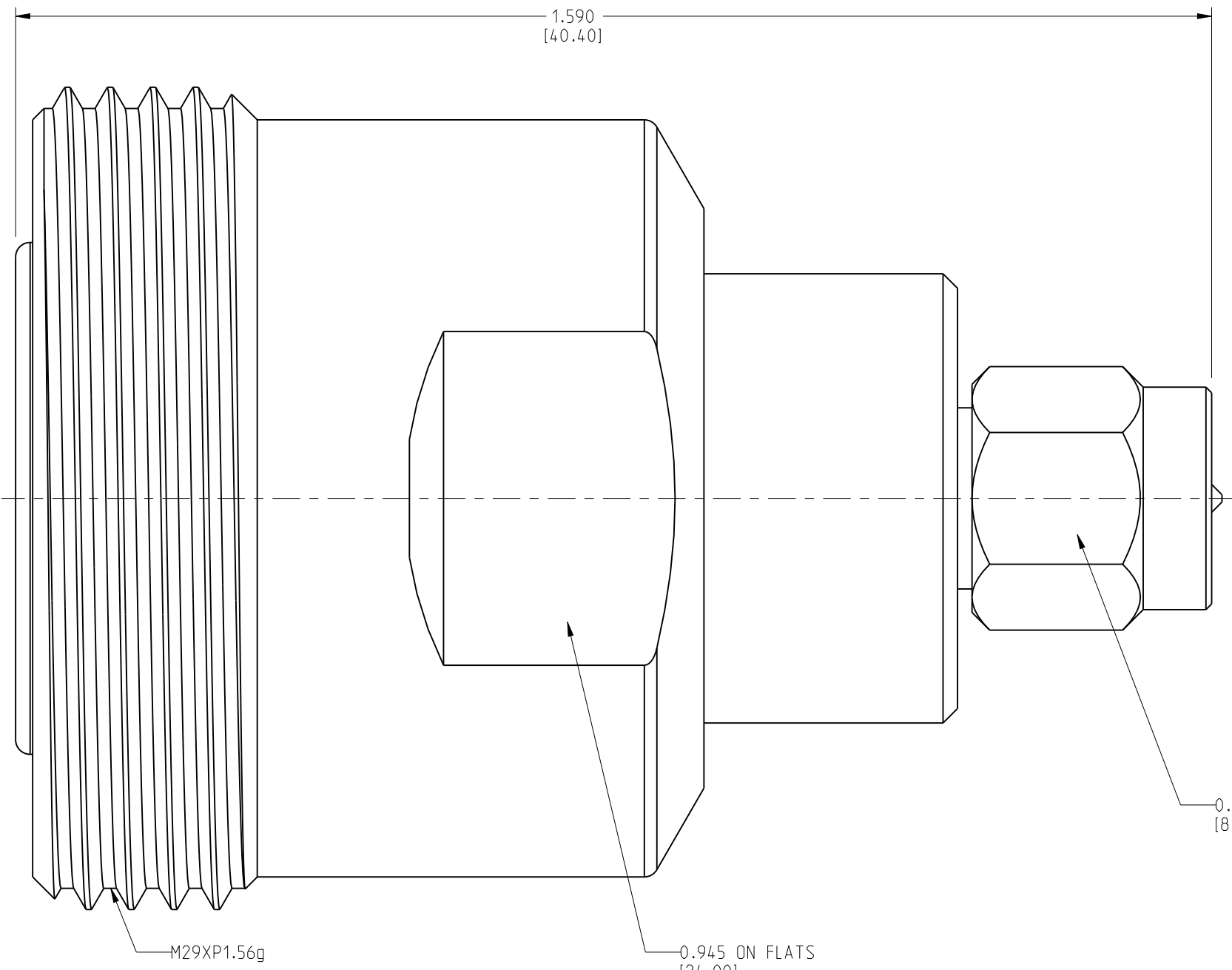
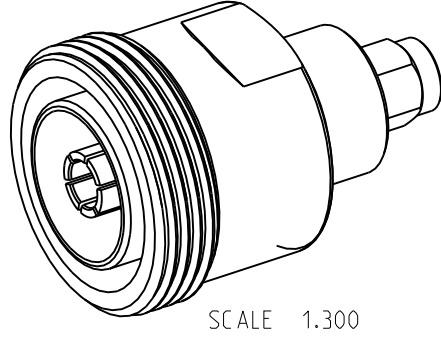
- I. ELECTRIC PERFORMANCE
 - IMPEDANCE (Ω) : 50
 - FREQUENCY RANGE : DC-6GHz
 - VSWR : ≤ 1.12 (DC-3 GHz)
 - : ≤ 1.5 (3-6 GHz)
 - INSERT LOSS (dB) : ≤ 0.15
 - PIM(dBc) : ≤ -160
 - INSULATION RESISTANCE ($M\Omega$) : >5000
 - PROOF VOLTAGE (V) : 1000
 - CONDUCTOR RESISTANCE ($m\Omega$) : OUTER CONDUCTOR <2
 - : INNER CONDUCTOR <2.5

- II. MECHANICAL PERFORMANCE
 - SMA NUT TORQUE : 0.9 N.m
 - MECHANICAL WEAR : 500

- III. MATERIAL AND PLATING
 - INNER CONDUCTOR : BRASS PLATING Au 0.1 μ m
 - OUTER CONDUCTOR : BRASS PLATING COPPER-TIN-ZINC 2 μ m
 - SMA COUPLING NUT : BRASS PLATING COPPER-TIN-ZINC 2 μ m
 - INSULATOR : PTFE

- IV. ENVIRONMENT
 - TEMP.RANGE : -55 $^{\circ}$ C TO +155 $^{\circ}$ C
 - WATERPROOF STANDARD : IP67
 - ROHS COMPLIANT

242266		REVISIONS			
DRAWING NO.	REV	DESCRIPTION	DATE	ECO	APPR
THIRD ANGLE PROJ.	A	RELEASE TO MFG	01-Oct-12	--	KR
	B	CORRECT BOM, UPDATE NOTES	25-Feb-13	2453	CL



5	INNER CONDUCTOR	BRASS	GOLD	1
4	NUT	BRASS	WHITE BRONZE	1
3	INSULATOR	PTFE	NATURAL	1
2	OUTER CONDUCTOR	BRASS	WHITE BRONZE	1
1	BODY	BRASS	WHITE BRONZE	1
NO	DESCRIPTION	MATERIAL	FINISH	QTY

UNLESS OTHERWISE SPECIFIED, DIMENSIONS ARE IN INCHES AND TOLERANCES ARE: 2 PLACE DECIMAL $\pm .015$ (0,381 mm) 3 PLACE DECIMAL $\pm .005$ (0,127 mm) ANGLES $\pm 1^{\circ}$	MATERIAL	DRAWN	DATE	TITLE	Amphenol Connex
	SEE NOTES	KARTHIK R	25-Feb-13		
NOTICE - These drawings, specifications, or other data (1) are, and remain the property of Amphenol Corp. (2) must be returned upon request; and (3) are confidential and not to be disclosed to any person other than those to whom they are given by Amphenol Corp. The furnishing of these drawings, specifications, or other data by Amphenol Corp., or to any other person to anyone for any purpose is not to be regarded by implication or otherwise in any manner licensing, granting rights or permitting such holder or any other person to manufacture, use or sell any product, process or design, patented or otherwise, that may in any way be related to or disclosed by said drawings, specifications, or other data.	REFERENCE	ENGINEER	DATE	SCALE: 5.1:1	SHEET 1 OF 1
		KARTHIK R	25-Feb-13		
			APPROVED	DATE	DWG SIZE
				B	242266
		CAD FILE			REV B