

NOTES:

1. MATERIALS AND FINISHES:

- SMA BODY - BRASS, NICKEL PLATING
- AMMC BODY - STAINLESS STEEL, PASSIVATED
- CONTACT - BERYLLIUM COPPER, GOLD PLATING
- INSULATOR - PTFE

2. ELECTRICAL:

- A. IMPEDANCE : 50 OHM, NOMINAL
- B. FREQUENCY RANGE : DC - 6.0 GHz
- C. VSWR : 1.150 MAX.

3. MECHANICAL:

- A. DURABILITY: 30 CYCLES MIN.
- B. TEMPERATURE RANGE: -65° C TO +165° C

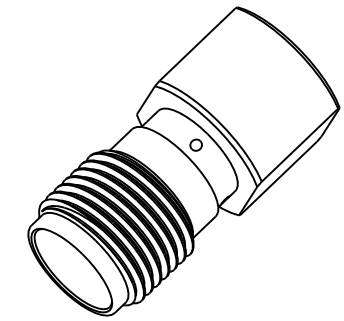
4. PACKAGING:

- A. QUANTITY: SINGLE PACK
- B. MARKING: AMPHENOL RF  
242291  
DATE CODE"

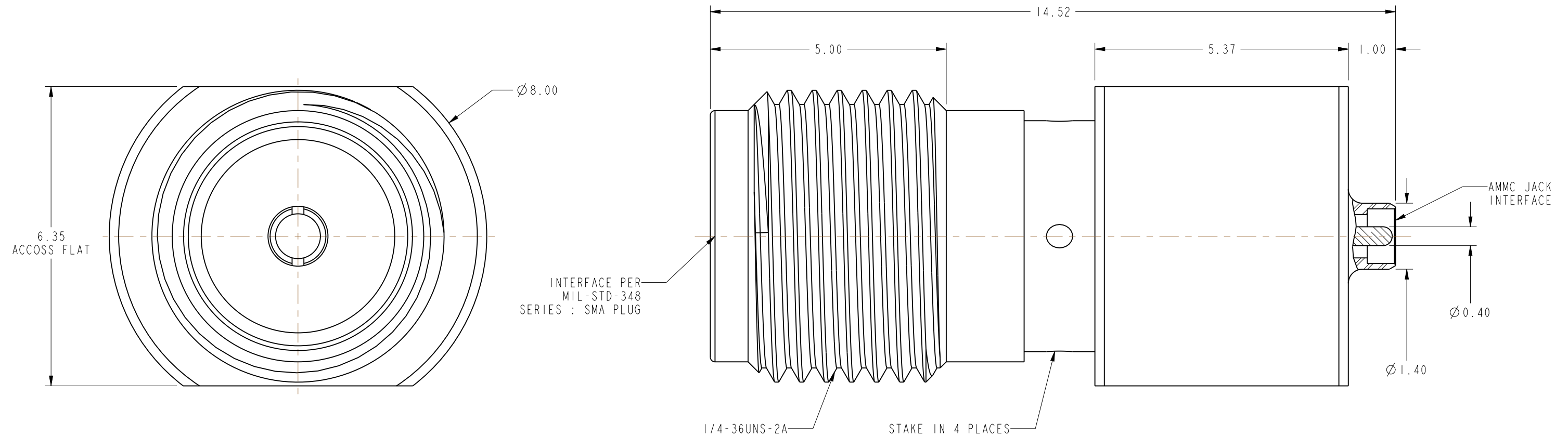
THIRD ANGLE PROJ.

REVISIONS

REV	DESCRIPTION	DATE	ECO	APPR
A	RELEASE TO MFG.	19-Dec-14	2847	BCG



SCALE 3.000



**CUSTOMER OUTLINE DRAWING**

ALL OTHER SHEETS ARE FOR INTERNAL USE ONLY

<p>UNLESS OTHERWISE SPECIFIED, DIMENSIONS ARE IN METRIC AND TOLERANCES ARE:                  &lt;0.5mm ± 0.05mm    0.5 - 6mm ± 0.1mm    6 - 30mm ± 0.2mm    30 - 120mm ± 0.3mm    ANGLES ± 1°</p> <p>NOTICE - These drawings, specifications, or other data (1) are, and remain the property of Amphenol corp. (2) must be returned upon request; and (3) are confidential and not to be disclosed to any person other than those to whom they are given by Amphenol Corp. the furnishing of these drawings, specifications, or other data by Amphenol Corp., or to any other person to anyone for any purpose is not to be regarded by implication or otherwise in any manner licensing, granting rights to permitting such holder or any other person to manufacture, use or sell any product, process or design, patented or otherwise, that may in any way be related to or disclosed by said drawings, specifications, or other data.</p>	MATERIAL	DRAWN M.DONG	DATE 19-Nov-14	<p>TITLE SMA JACK TO AMMC (W.FL) JACK ADAPTER</p>	<p>Amphenol RF www.amphenolrf.com</p>
	REFERENCE ARFA PN: SMAF-AMCM2-NT5GP-50	ENGINEER B.C. GLEISSNER	DATE 19-Nov-14		
	CONFIGURATION LEVEL: In Work	APPROVED B.C. GLEISSNER	DATE 19-Dec-14	SHEET 3 OF 3	ITEM NO.
	FINISH	CAD FILE	DWG SIZE B	REV A	PART NO. 242291