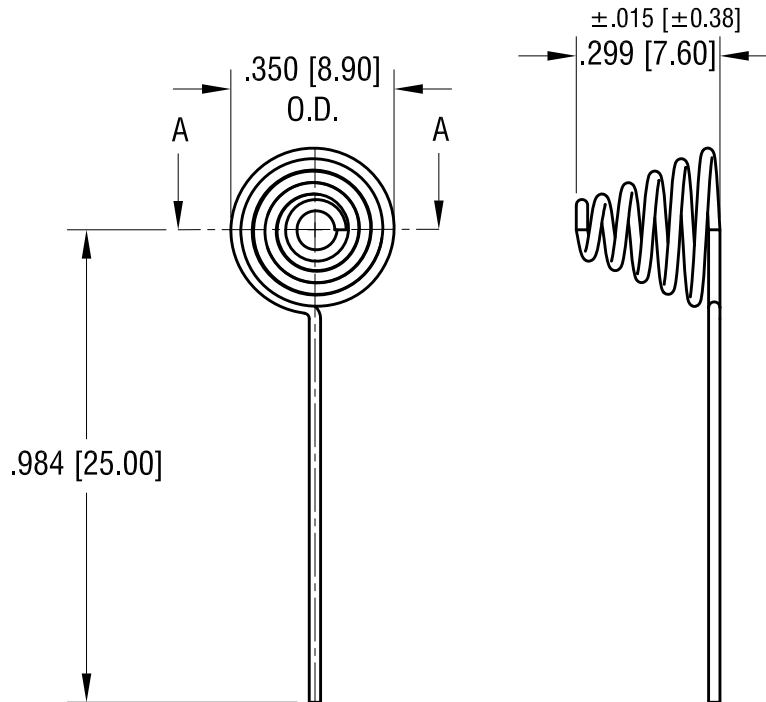
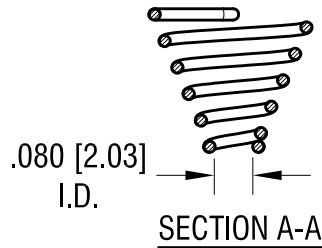
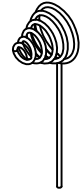


THIS DOCUMENT IS THE PROPERTY OF
KEYSTONE ELECTRONICS CORP. AND
SHALL NOT BE REPRODUCED, DISTRIBUTED
OR USED AS A BASIS FOR MANUFACTURE
WITHOUT PRIOR WRITTEN PERMISSION
FROM KEYSTONE ELECTRONICS CORP.

ACTUAL SIZE



NOTE:

1. BURR NOT TO EXCEED .005 [0.13]

KEYSTONE ELECTRONICS CORP.

www.keyelco.com • ASTORIA, N.Y. 11105-2017 • Tel (718) 956-8900

PART NAME

SPRING CONTACT FOR 'AA'

MATERIAL

.024 [0.60] DIA. MUSIC WIRE

FINISH

NICKEL PLATE

DRN BY

NT

DATE

3.28.16

APP'D

LN

SCALE

2.5 XP

TOLERANCES

INCH [MM]

DECIMAL ±.010 [±0.25]

ANGULAR ± 1°
UNLESS OTHERWISE SPECIFIED

CODE

C

DWG NO.

243

DATE

DESCRIPTION

REV.