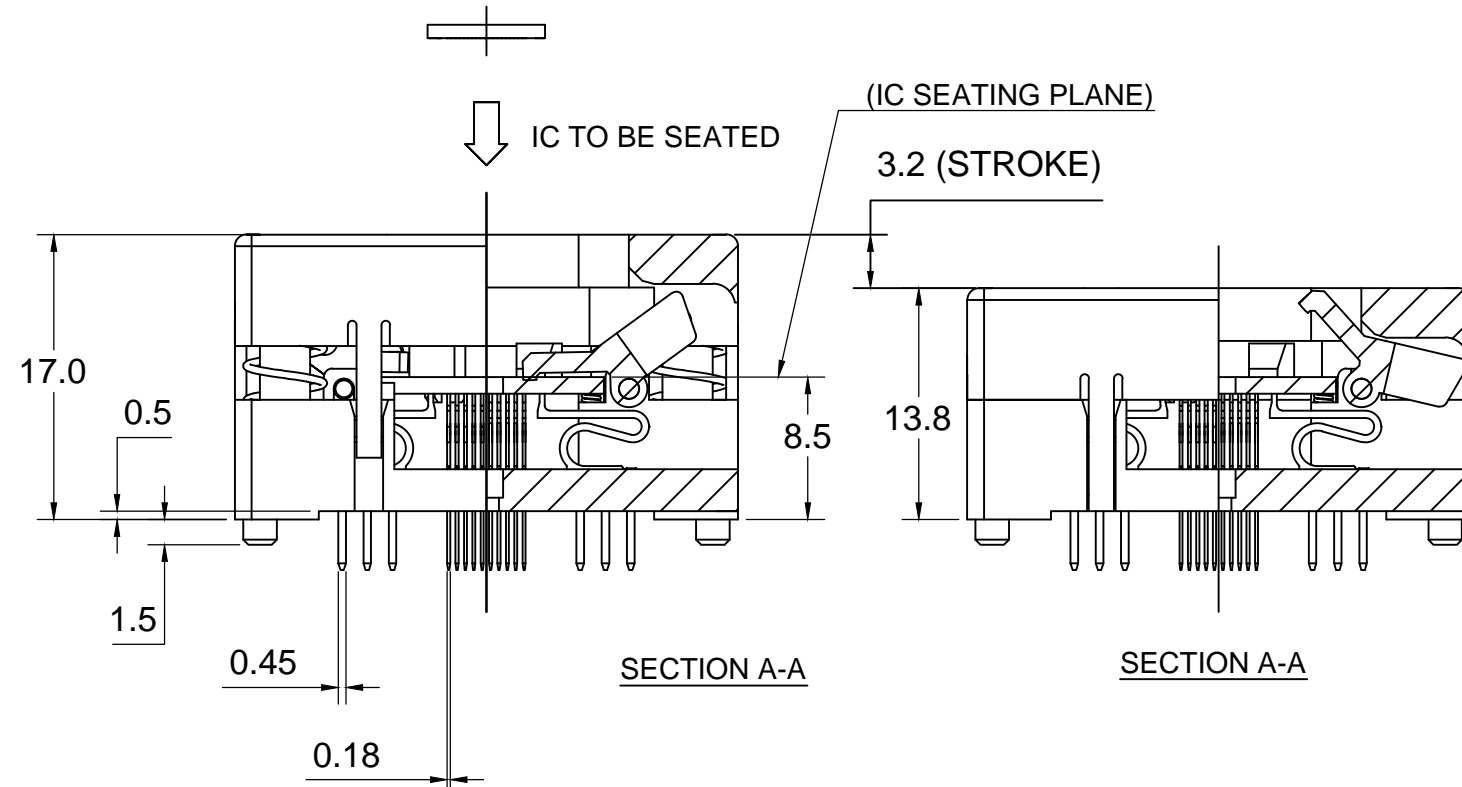
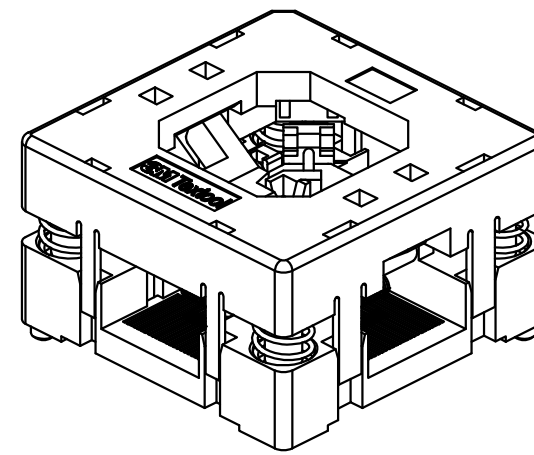
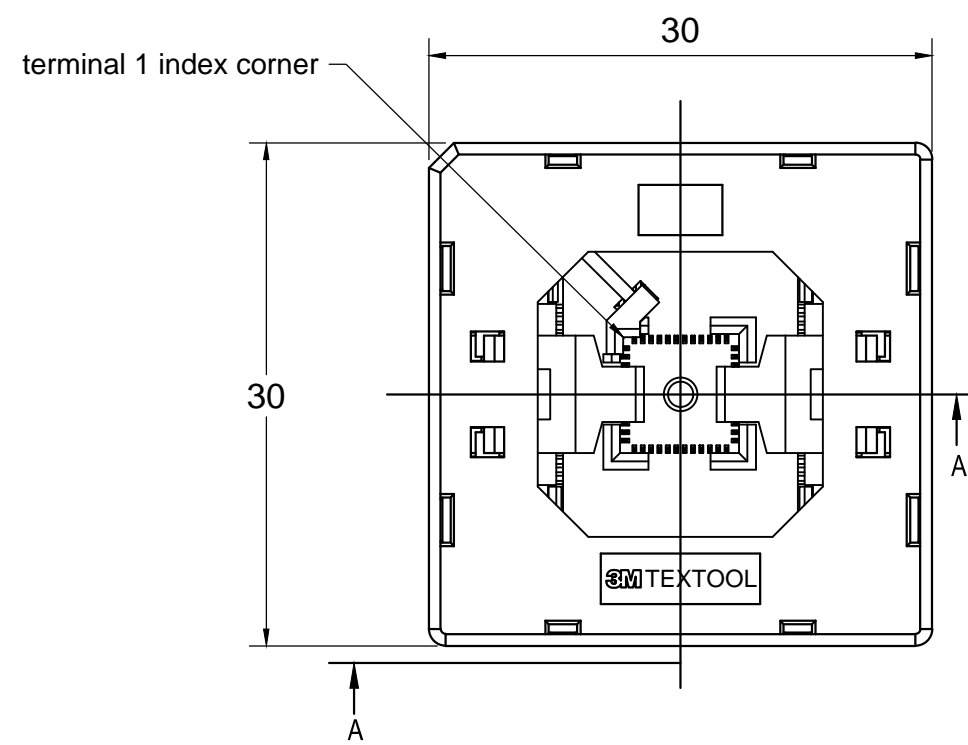


# 3M™ TEXTTOOL™ QFN TEST AND BURN-IN SOCKET



## NOTES:

### 1. MATERIALS:

SPRINGS	SS	PLATING : Au
CONTACTS	Be Cu	COLOR : BLACK
IC GUIDES	PES	COLOR : BLACK
PRESSURE PAD	PES	COLOR : BLACK
COVER	PPS or equiv.	COLOR : BLACK
BASE	PES	COLOR : BLACK

2. SEE THE REGULATORY INFORMATION APPENDIX (RIA) IN THE "RoHS COMPLIANCE" SECTION [WWW.3MCONNECTOR.COM](http://WWW.3MCONNECTOR.COM) FOR COMPLIANCE INFORMATION (RIA E1 & C1 APPLY).

3. FOR PRODUCT SPECIFICATIONS AND WARRANTY INFORMATION SEE:

[WWW.3MCONNECTOR.COM](http://WWW.3MCONNECTOR.COM) PN 244-5205-00

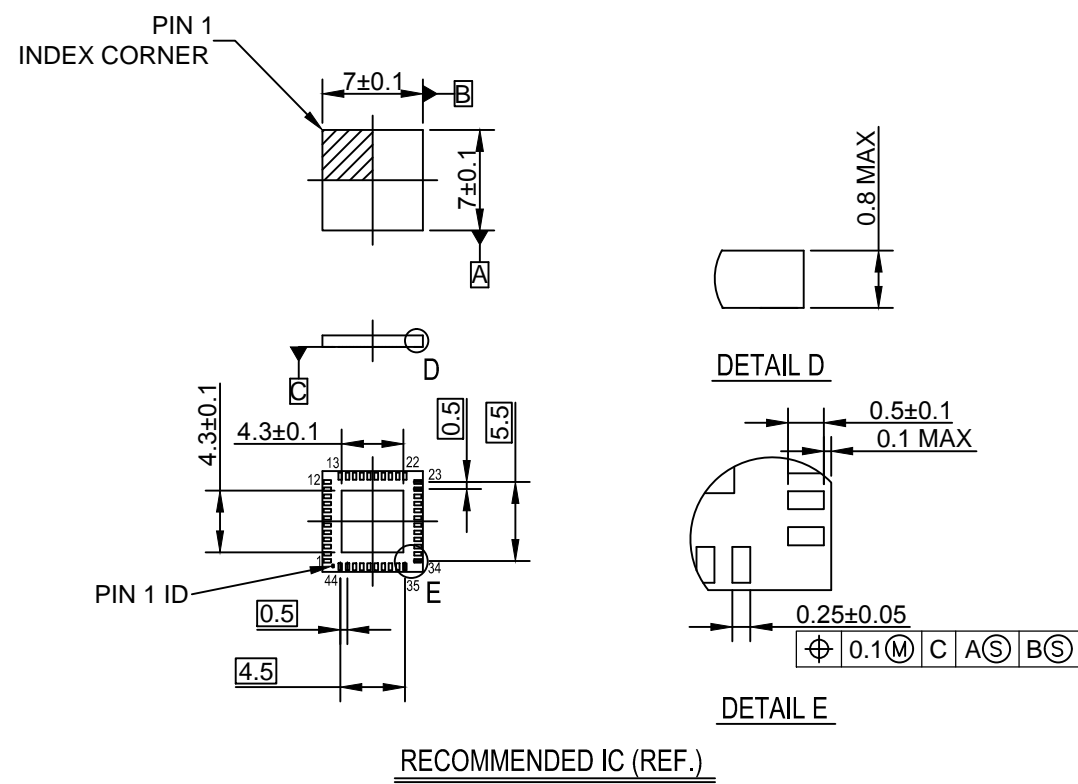
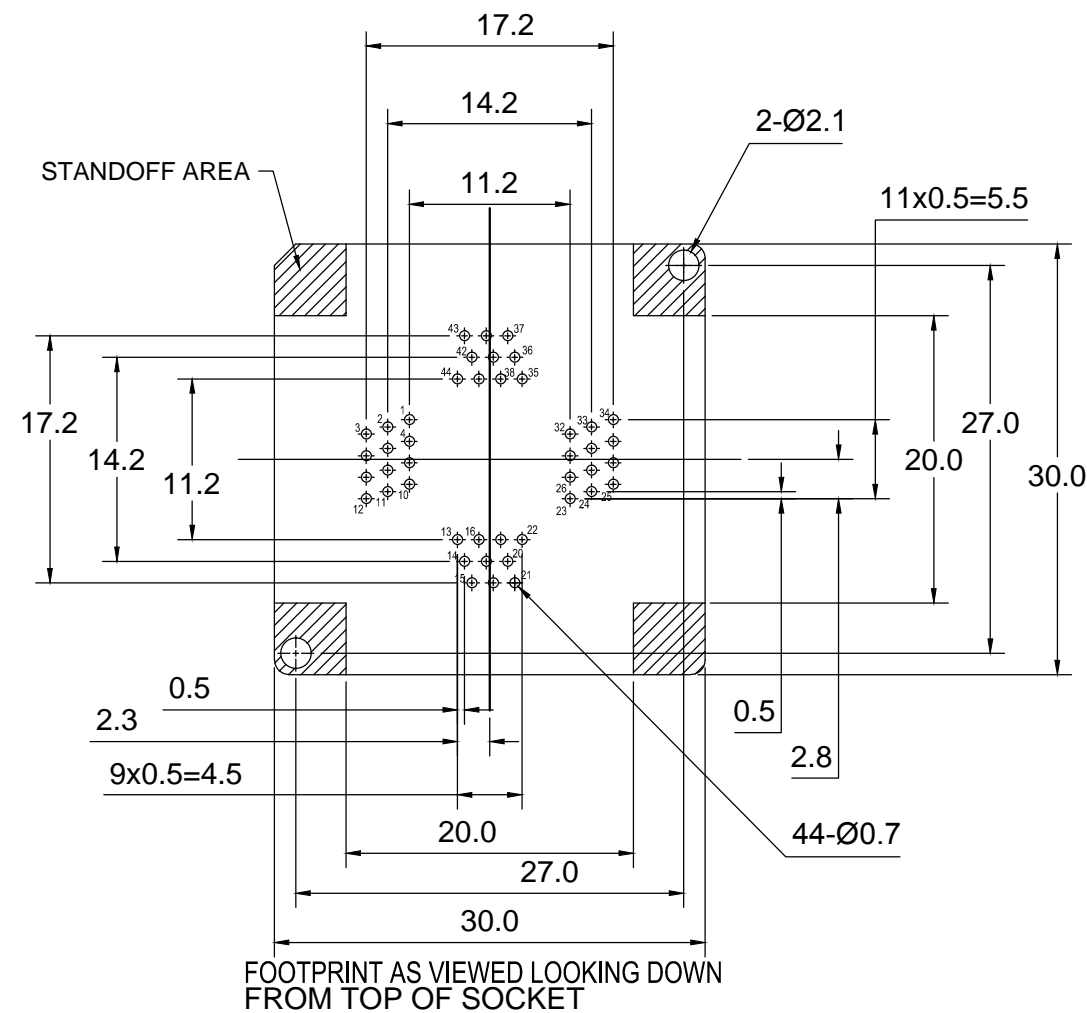
DESIGN REFERENCE	NEXT ASSEMBLY	A	37213	INITIAL RELEASE	ARM
DISTRIBUTION CODES	DRFT	ECO	ISSUE DATE AND DESCRIPTION	DATE	DRFT
DIVISION	DIVISION CODE	CHKD	DATE	MFG	DATE
DO NOT SCALE DRAWING	SCALE 5/1	CHKD	DATE	APPVL	DATE
THIRD ANGLE PROJECTION	INTERPRET PER ASME Y14.5 - 1994	3M Center St. Paul, MN 55144 © 3M COPYRIGHT 2012 This document is the copyrighted property of the 3M Company and may not be reproduced without 3M written permission or used for other than 3M authorized purposes.			
MAX SURFACE ROUGHNESS 125	<input type="checkbox"/> ALL SURFACES <input checked="" type="checkbox"/> MARKED ONLY	TITLE <b>QFN TEST SOCKET 0.5mm 44 POS, 7X7 PKG, EVEN ROW NO TP</b>			
TOLERANCES EXCEPT AS NOTED INCHES .0 ± .1 .00 ± .02 .000 ± .005 .0000 ± .0002 MILLIMETERS 0 ± .1 .0 ± .05 .00 ± .002 .000 ± .0002	CAGE NUMBER <b>C</b>	SIZE <b>C</b>	DRAWING NO. <b>78-5100-2512-1</b>	REV. <b>A</b>	MODEL TEXTTOOL - QFN
ANGLES ± 1°	<input type="checkbox"/> YES <input checked="" type="checkbox"/> NO	SHT	1	OF	2

4

3

2

1



DESIGN REFERENCE	NEXT ASSEMBLY	REV	ECO	ISSUE DATE AND DESCRIPTION	DRFT	CHKD
DISTRIBUTION CODES		DRFT		DATE	MFG	DATE
		CHKD		DATE	APPVL	DATE
DIVISION	DIVISION CODE	<b>3M</b> 3M Center St. Paul, MN 55144		© 3M COPYRIGHT 2012 This document is the copyrighted property of the 3M Company and may not be reproduced without 3M written permission or used for other than 3M authorized purposes.		
DO NOT SCALE DRAWING	SCALE 5 1	TOLERANCES EXCEPT AS NOTED		TITLE <b>QFN TEST SOCKET 0.5mm 44 POS, 7X7 PKG, EVEN ROW NO TP</b>		
THIRD ANGLE PROJECTION	INTERPRET PER ASME Y14.5 - 1994	INCHES .0 ± .1 .00 ± .02 .000 ± .005 .0000 ± .0002		CAGE NUMBER <b>C</b> DRAWING NO. <b>78-5100-2512-1</b> REV. <b>A</b>		
MAX SURFACE ROUGHNESS 125 ✓ ALL SURFACES ☒ MARKED ONLY		MILLIMETERS 0 ± .1 .0 ± .02 .00 ± .005 .000 ± .0002		MODEL <b>TEXTTOOL - QFN</b> DET. LISTS <input type="checkbox"/> YES <input checked="" type="checkbox"/> NO SHT <b>2 OF 2</b>		
		ANGLES ± 1°				

3

2

1

D

D

C

C

B

B

A

A

DRAWING NUMBER  
78-5100-2512-1

REVISION  
A