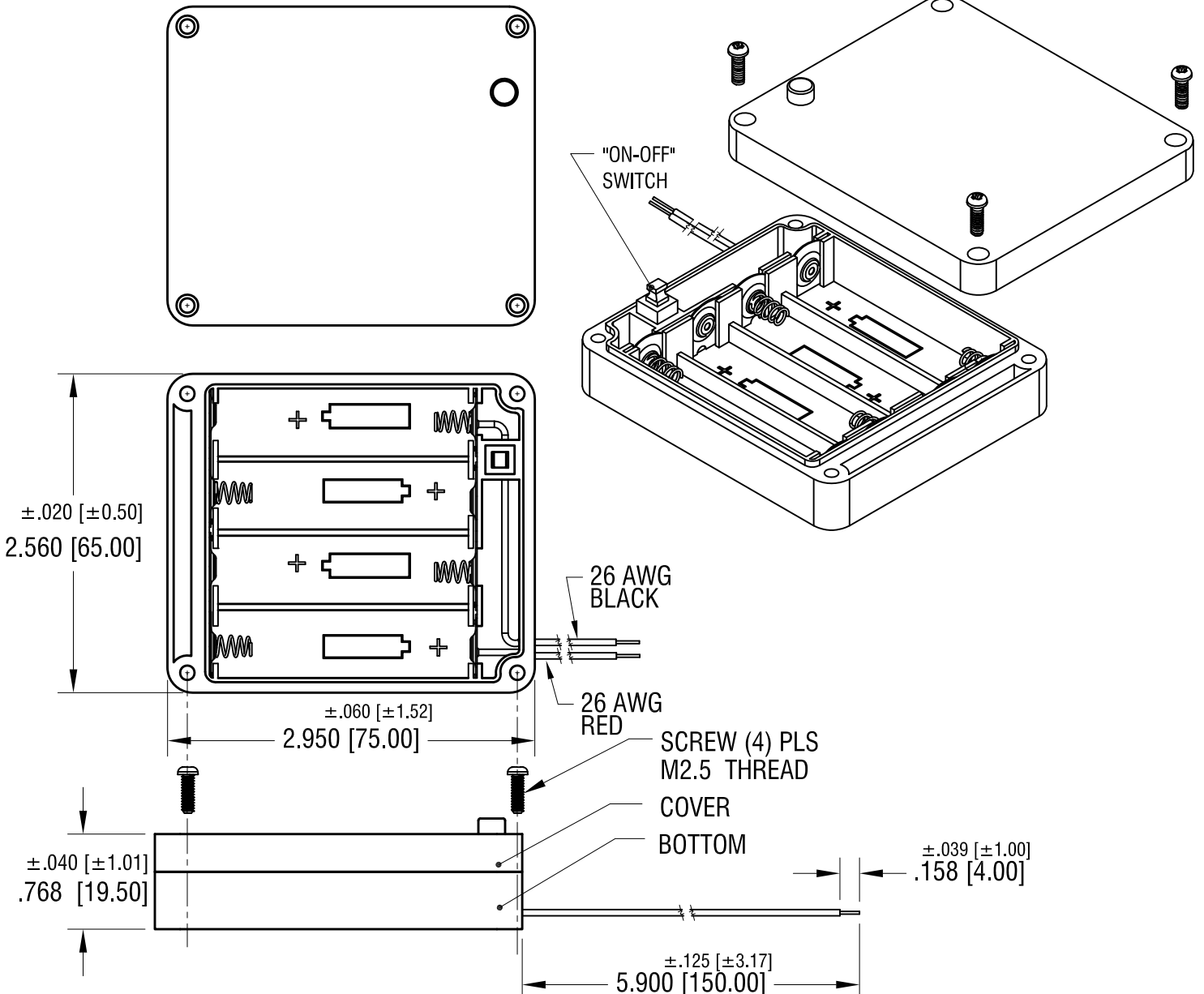


THIS DOCUMENT IS THE PROPERTY OF KEYSTONE ELECTRONICS CORP. AND SHALL NOT BE REPRODUCED, DISTRIBUTED OR USED AS A BASIS FOR MANUFACTURE WITHOUT PRIOR WRITTEN PERMISSION FROM KEYSTONE ELECTRONICS CORP.



- NOTE:**
1. HOLDER: MAT'L: ABS
 2. SPRING: MAT'L: MUSIC WIRE, .020 [0.50] DIA.
FINISH: NICKEL PLATE
 3. SCREW: MAT'L- STEEL, ZINC PLATED
 4. IP65 RATED FOR WATER, DUST AND HARSH ENVIRONMENTS

4.05.23	STRIPED PART WAS $\pm .032$ [± 0.81] WIRE LENGTH WAS 6.000 [152.40] CHANGE AS PER ECN 23-045	A
DATE	DESCRIPTION	REV.

KEYSTONE ELECTRONICS CORP.			
www.keyelco.com • NEW HYDE PARK, NY 11040 • Tel (516) 328-7500			
PART NAME WATER RESISTANT BATTERY HOLDER (4) 'AA'			
MATERIAL AS NOTED			
FINISH AS NOTED	DRN BY NT	DATE 5.09.18	
	APP'D RH	SCALE .8X	
TOLERANCES DECIMAL $\pm .010$ [± 0.25] ANGULAR $\pm 1^\circ$ UNLESS OTHERWISE SPECIFIED	INCH [MM]	CODE C	DWG NO. 2440