

"High Frequency Ceramic Solutions"

2.45/5.5GHz SMD Diplexer for 802.11/WLAN/WiFi

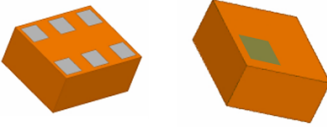
P/N 2450DP39K5400

Detail Specification: 4/25/2016

Page 1 of 3

Not exactly what you are looking for and want to see our other diplexers? Go to: www.johansontechnology.com/diplexers

General Specifications

Passband (MHz)	2400 ~ 2500	4900 ~ 5900		
Insertion Loss (dB)	0.85 Typ. 1.0 max.	0.78 Typ. 1.2 max.		
VSWR	2.0 max.			
Attenuation (dB)	25typ/15min @ 1550-1610MHz 15typ/10min @ 3105MHz 22typ/20min @ 4800-4950MHz 24typ/15min @ 4900-5950MHz	38typ/30min @ 2400-2500MHz 19typ/15min @ 3105MHz 21typ/15min @ 9800-11900MHz		
Isolation (dB)	36 Typ. 32 min	25 Typ. 20 min.		
Operating Temp.	-40 to +85 °C			
			Storage Conditions ¹	-45 to +85°C
			Storage Period	18 months max.
			Power Capacity	2W max. (CW)
			Reel Quantity	3,000 pcs

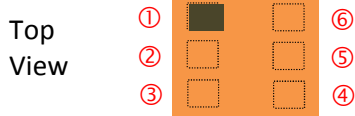
¹For pre-installation storage (product still on T&R) +5 to +35 °C, Humidity 45~75%RH is recommended

Part Number Explanation

P/N Suffix	Packing Style	Bulk	Suffix = S	eg. 2450DP39K5400S
		T & R	Suffix = E	eg. 2450DP39K5400E
	Termination style	100% Tin	Suffix = None	eg. 2450DP39K5400(E or S)
	Evaluation Board	2450DP39K5400-EB1SMA		

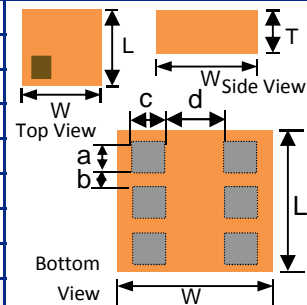
Terminal Configuration

No.	Function	No.	Function
1	GND	4	Higher Freq. Port
2	Common Port	5	GND
3	GND	6	Lower Freq. Port



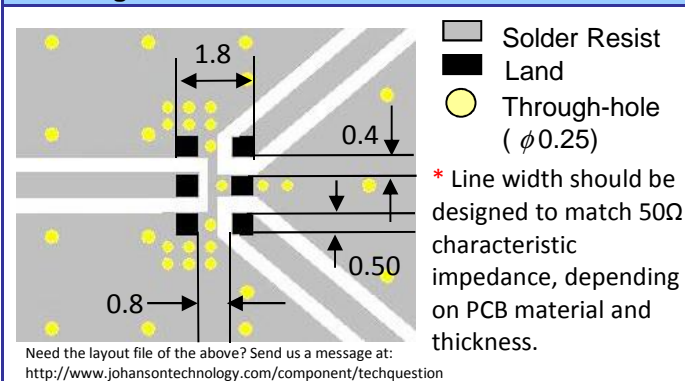
Mechanical Dimensions

	In	mm
L	0.098 ± 0.008	2.5 ± 0.2
W	0.079 ± 0.008	2.0 ± 0.2
T	0.004 max.	1.0 max.
a	0.020 ± 0.004	0.5 ± 0.1
b	0.016 ± 0.004	0.4 ± 0.1
c	0.020 ± 0.004	0.5 ± 0.1
d	0.031 ± 0.006	0.8 ± 0.15



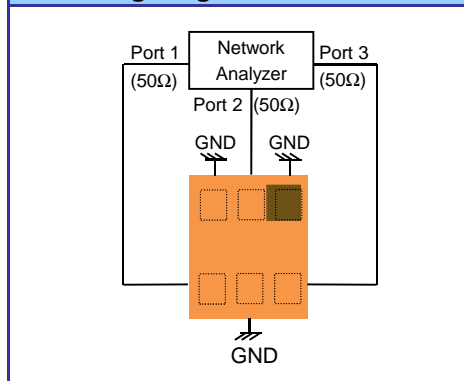
Component is AC coupled, no need for DC blocking cap between Low/High and Common Ports

Mounting Considerations



Need the layout file of the above? Send us a message at:
<http://www.johansontechnology.com/component/techquestion>

Measuring Diagram



"High Frequency Ceramic Solutions"

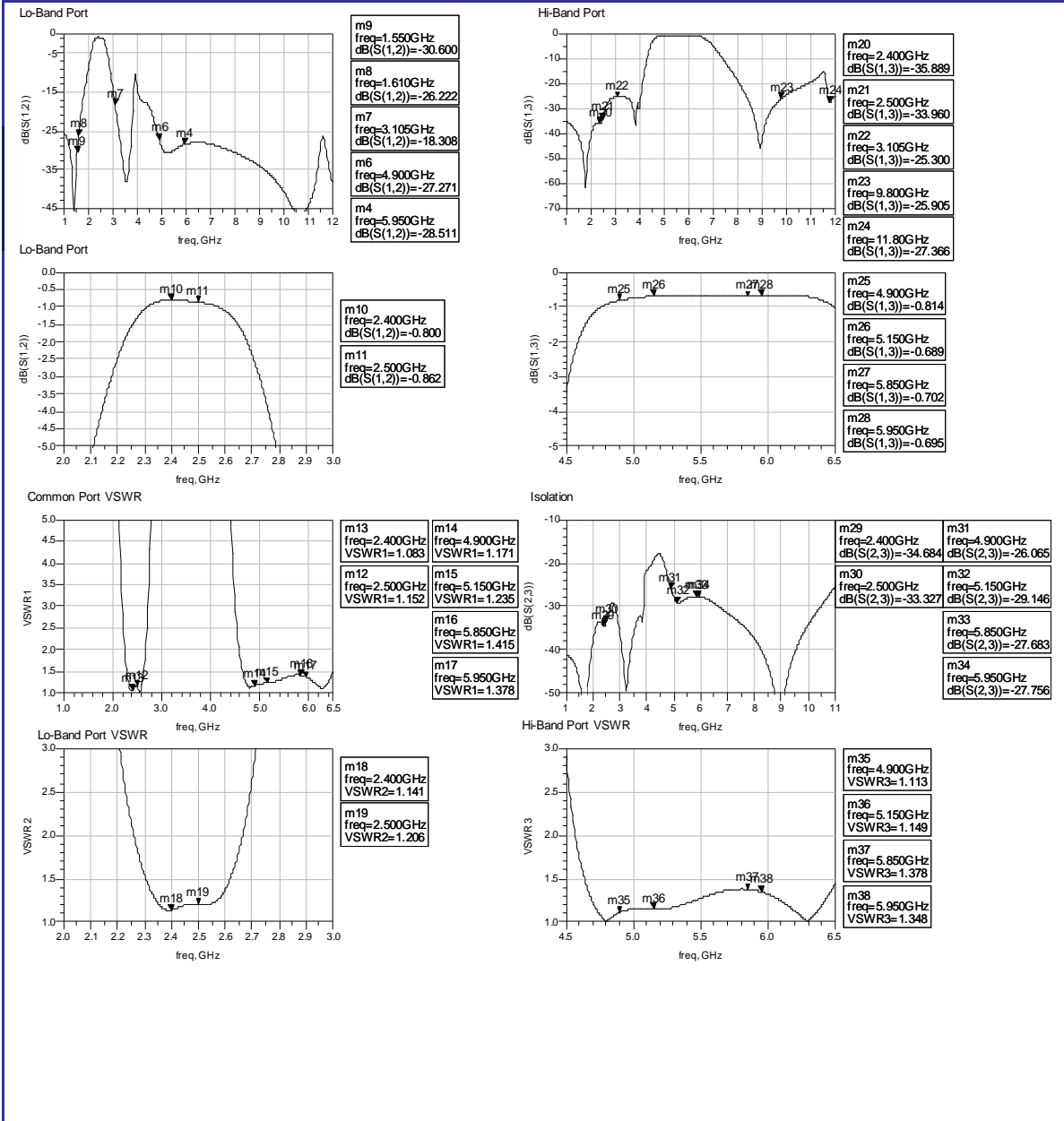
2.45/5.5GHz SMD Diplexer for 802.11/WLAN/WiFi

P/N 2450DP39K5400

Detail Specification: 4/25/2016

Page 2 of 3

Typical Electrical Characteristics (T=25 °C)



The contents of this data sheet are subject to change without notice. Please confirm the specifications and delivery conditions when placing your order. All sales are subject to Johanson Technology, Inc. terms and conditions.



www.johansontechnology.com

4001 Calle Tecate • Camarillo, CA 93012 • TEL 805.389.1166 FAX 805.389.1821

Ver. 2.3

2016 Johanson Technology, Inc. All Rights Reserved