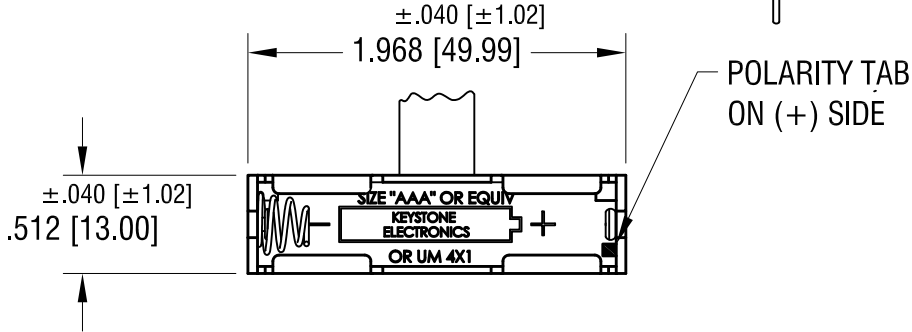
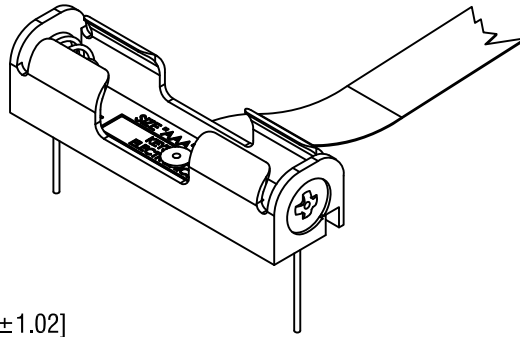
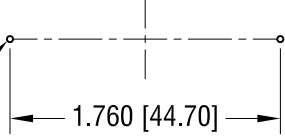


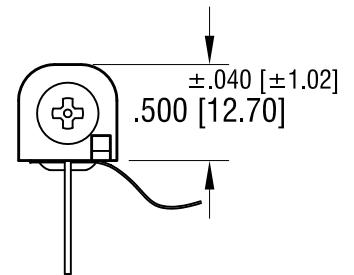
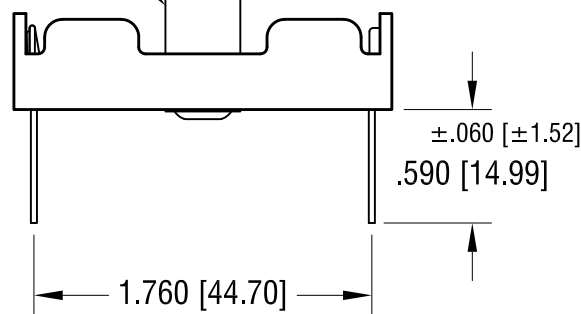
THIS DOCUMENT IS THE PROPERTY OF KEYSTONE ELECTRONICS CORP. AND SHALL NOT BE REPRODUCED, DISTRIBUTED OR USED AS A BASIS FOR MANUFACTURE WITHOUT PRIOR WRITTEN PERMISSION FROM KEYSTONE ELECTRONICS CORP.

MOUNTING DETAIL

.040 [1.02] DIA.
HOLE (2) PLS



RIBBON FOR BATTERY
REMOVAL



NOTE:

- 1. HOLDER: MAT'L: POLYPROPYLENE
- SPRING: MAT'L: MUSIC WIRE, .024 [0.60] DIA.
- PC TERMINALS: MAT'L: BRASS, .032 [0.81] DIA.
- RIBBON: MAT'L: NYLON, RED

KEYSTONE ELECTRONICS CORP.

www.keyelco.com • NEW HYDE PARK, NY 11040 • Tel (516) 328-7500

PART NAME			
PC BATTERY HOLDER (1) 'AAA' W/RIBBON			
MATERIAL			
AS NOTED			
FINISH		DRN BY	DATE
NICKEL PLATE		BOONE	12.01.03
		APP'D	SCALE
		LN	1X
TOLERANCES		CODE	
INCH	[MM]	DWG NO.	
DECIMAL	± .010 [± 0.25]	C	
ANGULAR	± 1°	2466RB	
UNLESS OTHERWISE SPECIFIED			

3.09.22	ECN 22-050M ADD POLATITY TAB	A
DATE	DESCRIPTION	REV.