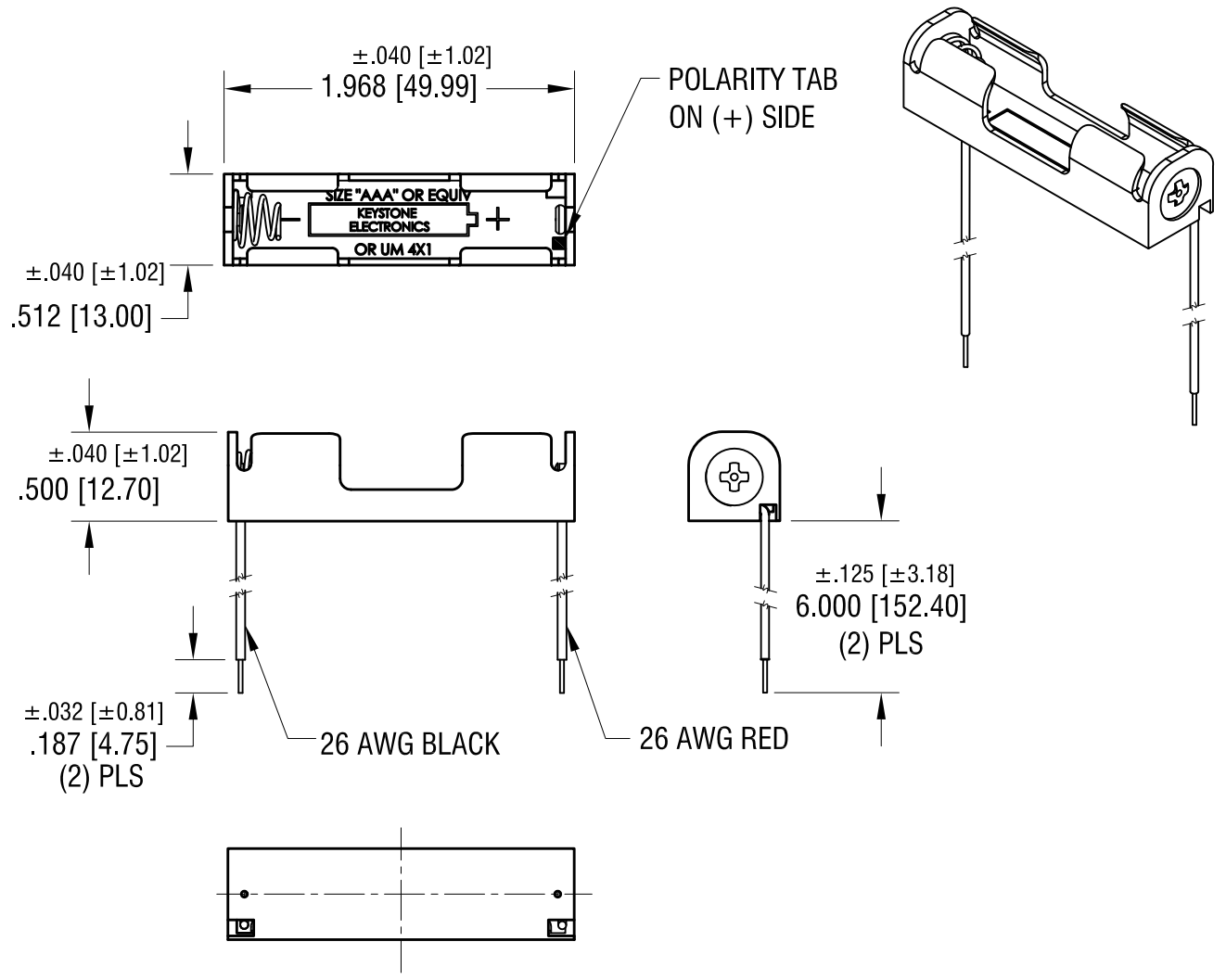


THIS DOCUMENT IS THE PROPERTY OF  
KEYSTONE ELECTRONICS CORP. AND  
SHALL NOT BE REPRODUCED, DISTRIBUTED  
OR USED AS A BASIS FOR MANUFACTURE  
WITHOUT PRIOR WRITTEN PERMISSION  
FROM KEYSTONE ELECTRONICS CORP.



**NOTE:**

1. HOLDER: MAT'L: POLYPROPYLENE
2. SPRING: MAT'L: MUSIC WIRE, .024 [0.60] DIA.  
FINISH: NICKEL PLATE

DATE	DESCRIPTION	REV.
6.08.23	ADD POLARITY TAB CHANGE AS PER ECN 23-095	C
7.08.10	CHANGE AS PER ECN 10-081	B
11.17.99	CHANGE AS PER ECN 99-092	A

<b>KEYSTONE ELECTRONICS CORP.</b>			
www.keyelco.com • NEW HYDE PARK NY 11040 • Tel (516)328-7500			
PART NAME			
BATTERY HOLDER (1) 'AAA'			
MATERIAL			
AS NOTED			
FINISH		DRN BY	DATE
AS NOTED		BOONE	11.02.95
		APP'D	SCALE
		RH	1X
TOLERANCES	INCH [MM]	CODE	DWG NO.
DECIMAL	$\pm .015$ [ $\pm 0.38$ ]	C	<b>2467</b>
ANGULAR	$\pm 1^\circ$		
UNLESS OTHERWISE SPECIFIED			