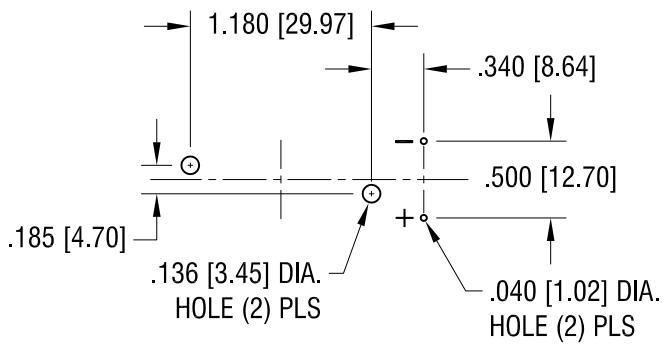
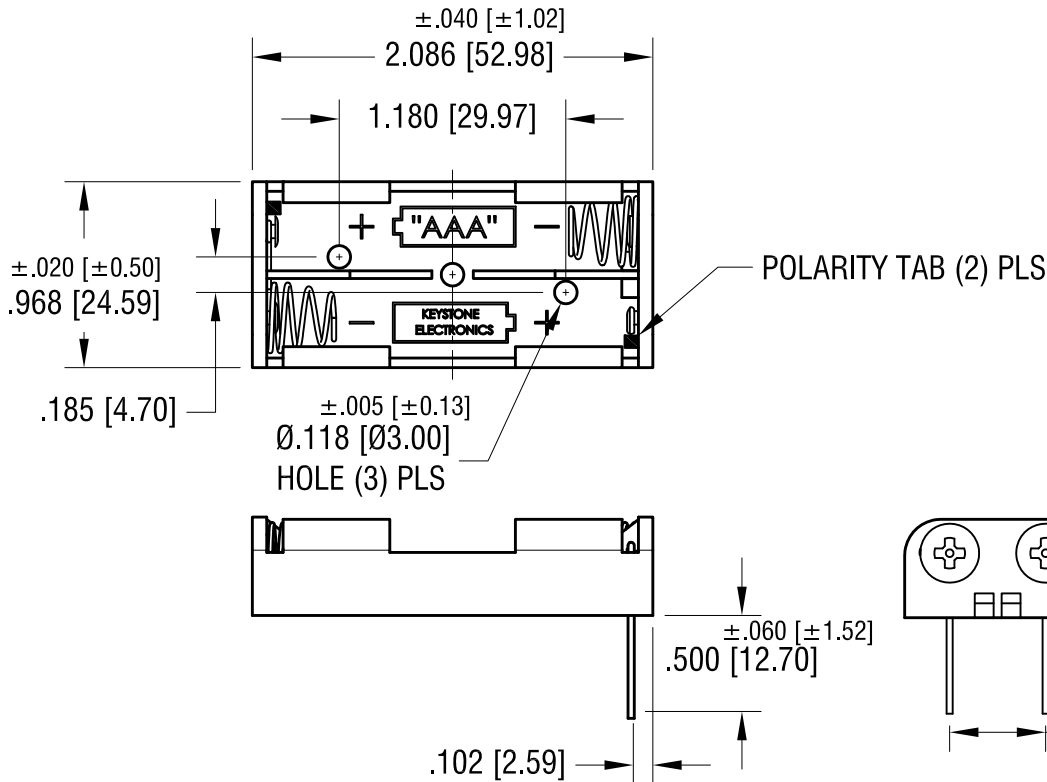
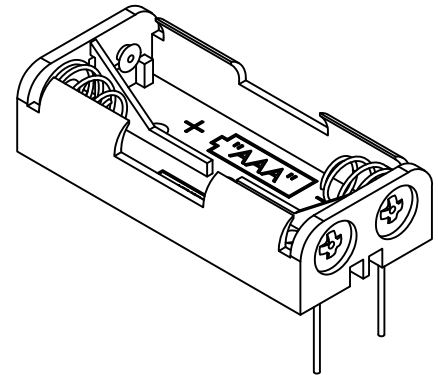


THIS DOCUMENT IS THE PROPERTY OF KEYSTONE ELECTRONICS CORP. AND SHALL NOT BE REPRODUCED, DISTRIBUTED OR USED AS A BASIS FOR MANUFACTURE WITHOUT PRIOR WRITTEN PERMISSION FROM KEYSTONE ELECTRONICS CORP.

MOUNTING DETAIL



ACTUAL SIZE



NOTE:

1. HOLDER: MAT'L: POLYPROPYLENE
2. SPRING: MAT'L: MUSIC WIRE, .024 [0.60] DIA. FINISH- NICKEL PLATE
3. PC TERMINALS: MAT'L: BRASS, .032 [0.81] DIA. FINISH- NICKEL PLATE

DATE	DESCRIPTION	REV.
3.09.22	AS PER ECN 22-054 ADD TWO POLARITY TAB	D
9.13.08	CHANGE AS PER ECN 08-153	C
80.24.05	CHANGE AS PER ECN 05-059	B

KEYSTONE ELECTRONICS CORP.			
www.keyelco.com • NEW HYDE PARK NY 11040 • Tel (516)328-7500			
PART NAME PC BATTERY HOLDER (2) 'AAA'			
MATERIAL AS NOTED			
FINISH AS NOTED		DRN BY BOONE	DATE 4.18.97
		APP'D	SCALE 1X
TOLERANCES INCH [MM] DECIMAL ±.010 [±0.25] ANGULAR ± 1° UNLESS OTHERWISE SPECIFIED	CODE C	DWG NO. 2468	