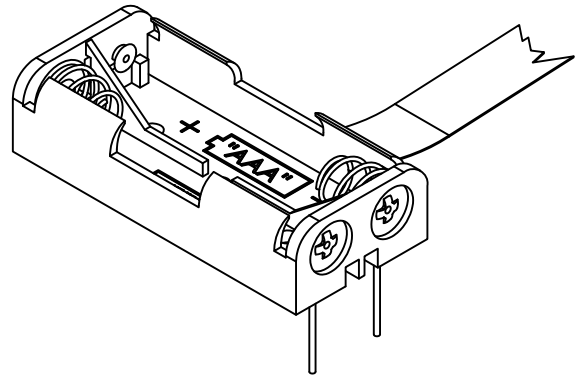
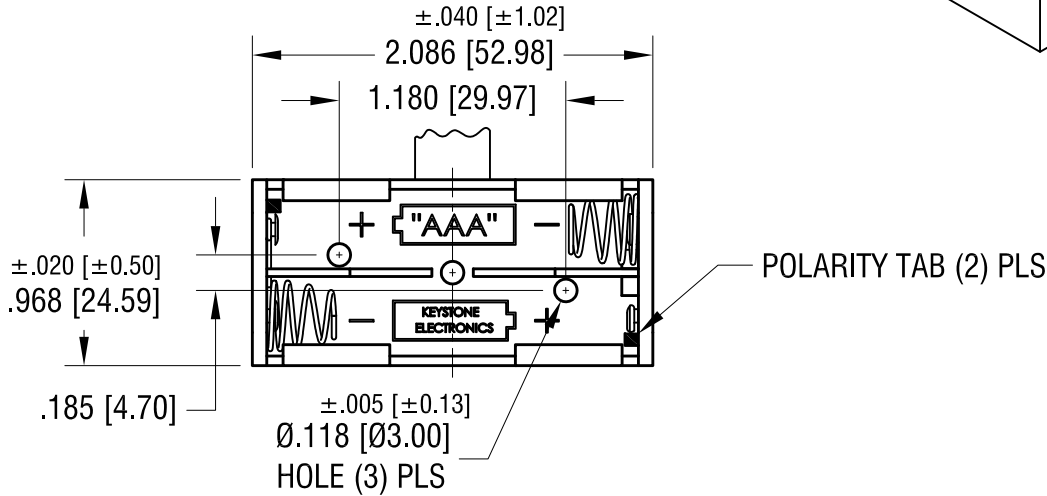
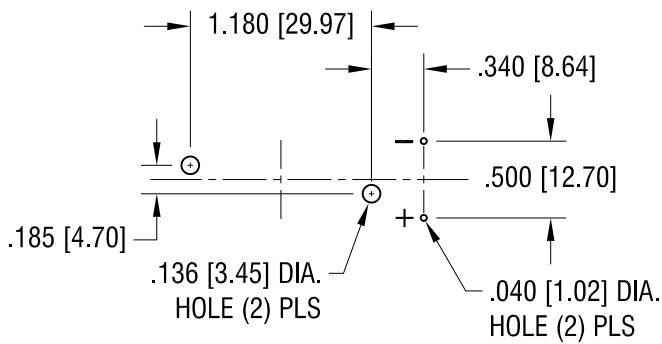


THIS DOCUMENT IS THE PROPERTY OF KEYSTONE ELECTRONICS CORP. AND SHALL NOT BE REPRODUCED, DISTRIBUTED OR USED AS A BASIS FOR MANUFACTURE WITHOUT PRIOR WRITTEN PERMISSION FROM KEYSTONE ELECTRONICS CORP.

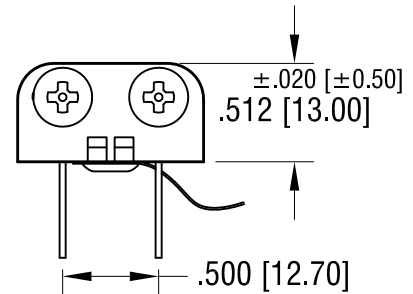
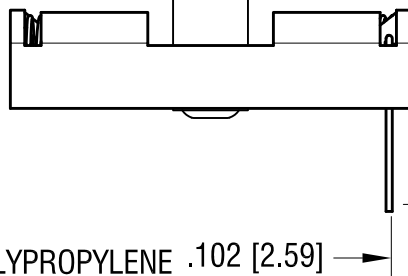
ACTUAL SIZE



MOUNTING DETAIL



RIBBON FOR BATTERY REMOVAL



NOTE:

1. HOLDER: MAT'L: POLYPROPYLENE .102 [2.59]
2. SPRING: MAT'L: MUSIC WIRE, .024 [0.60] DIA. FINISH- NICKEL PLATE
3. PC TERMINALS: MAT'L: BRASS, .032 [0.81] DIA. FINISH- NICKEL PLATE
4. RIBBON: MAT'L: NYLON, RED

KEYSTONE ELECTRONICS CORP.

www.keyelco.com • NEW HYDE PARK NY 11040 • Tel (516)328-7500

PART NAME
PC BATTERY HOLDER (2) 'AAA' W/ RIBBON

MATERIAL
AS NOTED

FINISH AS NOTED	DRN BY	BOONE	DATE	12.1.03
	APP'D	LN	SCALE	1X

TOLERANCES	INCH	[MM]	CODE	DWG NO.
DECIMAL	± .010	[± 0.25]	C	2468RB
ANGULAR	± 1°			
UNLESS OTHERWISE SPECIFIED				

DATE	DESCRIPTION	REV.
3.09.22	CHANGE AS PER ECN 22-055	C
3.28.12	CHANGE AS PER ECN 12-038	B
8.24.05	CHANGE AS PER ECN 05-061	A