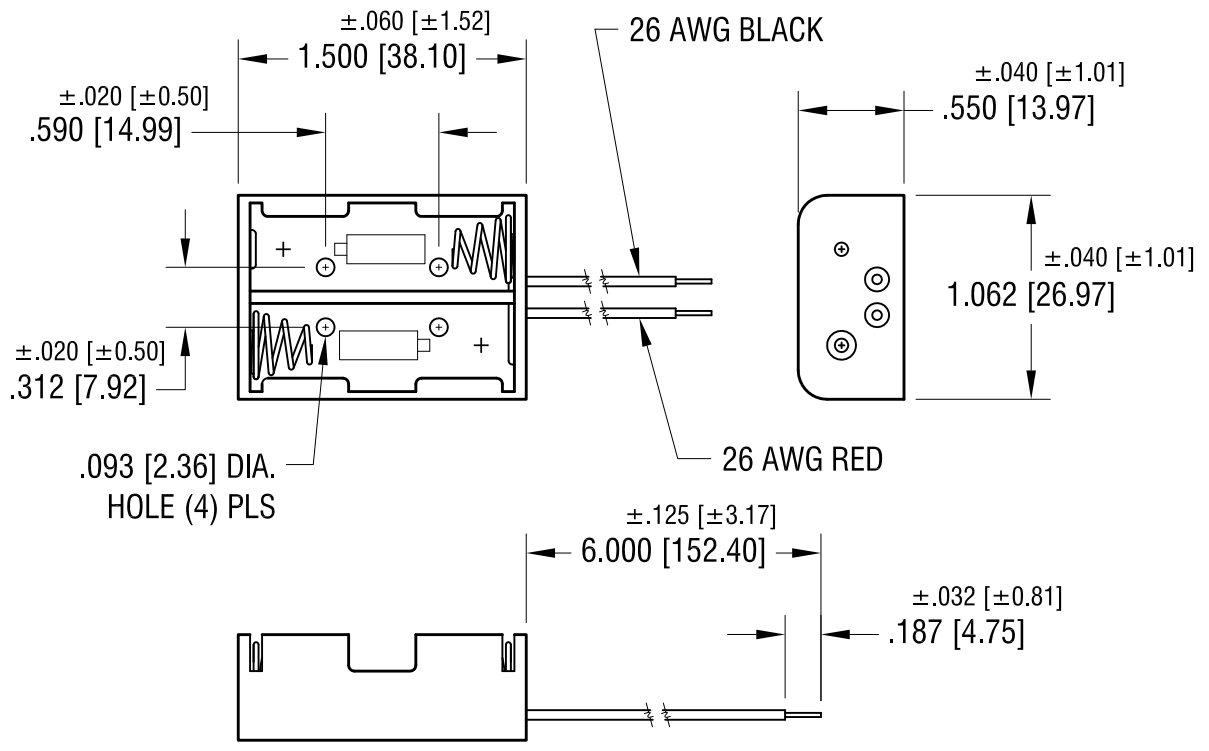
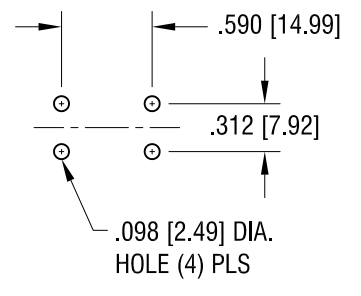


THIS DOCUMENT IS THE PROPERTY OF KEYSTONE ELECTRONICS CORP. AND SHALL NOT BE REPRODUCED, DISTRIBUTED OR USED AS A BASIS FOR MANUFACTURE WITHOUT PRIOR WRITTEN PERMISSION FROM KEYSTONE ELECTRONICS CORP.

MOUNTING DETAIL



NOTE:

- 1. HOLDER: MAT'L: POLYPROPYLENE
- SPRING: MAT'L: MUSIC WIRE, .020 [0.50] DIA.
- FINISH: NICKEL PLATE

KEYSTONE ELECTRONICS CORP.			
www.keyelco.com • ASTORIA, N.Y. 11105-2017 • Tel (718) 956-8900			
PART NAME		BATTERY HOLDER (1) 'N'	
MATERIAL		AS NOTED	
FINISH	AS NOTED	DRN BY BOONE	DATE 10.11.95
		APP'D LN	SCALE 1X
TOLERANCES	INCH [MM]	CODE	DWG NO.
DECIMAL	± .015 [± 0.38]	C	2473
ANGULAR	± 1°		
UNLESS OTHERWISE SPECIFIED			

11.8.99	CHANGE AS PER ECN 99-080	A
DATE	DESCRIPTION	REV.