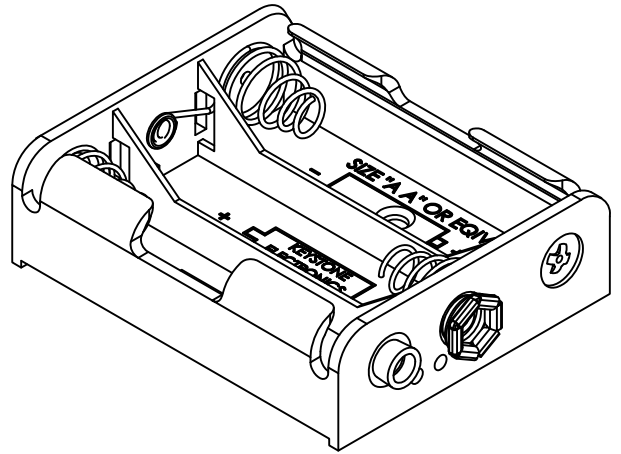
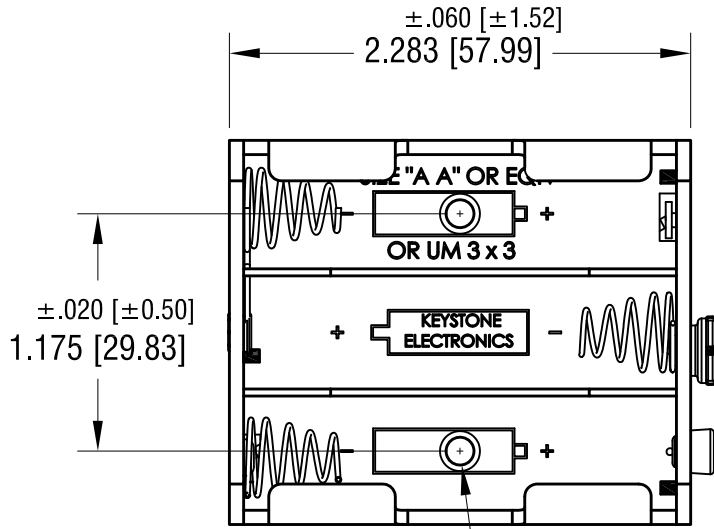
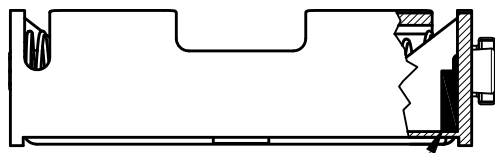


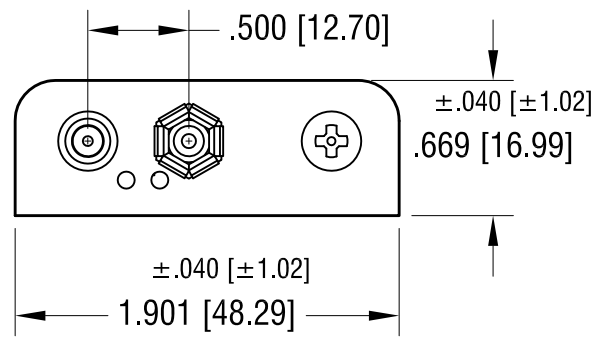
THIS DOCUMENT IS THE PROPERTY OF KEYSTONE ELECTRONICS CORP. AND SHALL NOT BE REPRODUCED, DISTRIBUTED OR USED AS A BASIS FOR MANUFACTURE WITHOUT PRIOR WRITTEN PERMISSION FROM KEYSTONE ELECTRONICS CORP.



±.006 [±0.15]  
 Ø.138 [Ø3.51] (2) PLS HOLE WITH LEADING CHAMFER  
 B1



BATTERY POLARITY TAB (3) PLS



NOTE:

1. HOLDER: MAT'L: POLYPROPYLENE
2. SPRING: MAT'L: MUSIC WIRE, .027 [0.70] DIA.
3. SNAP-ON CONTACT: MAT'L: BRASS

6.13.22	(B1) WAS .130±.005 CHANGE AS PER ECN 22-092	B
11.18.99	CHANGE AS PER ECN 99-093	A
DATE	DESCRIPTION	REV.

<b>KEYSTONE ELECTRONICS CORP.</b>			
www.keyelco.com • NEW HYDE PARK, NY 11040 • Tel (516) 328-7500			
PART NAME BATTERY HOLDER WITH SNAP-ON , (3)'AA'			
MATERIAL AS NOTED			
FINISH AS NOTED		DRN BY BOONE	DATE 5.03.96
		APP'D LN	SCALE 1X
TOLERANCES DECIMAL ANGULAR	INCH [MM] ±.015 [±0.38] ± 1°	CODE C	DWG NO. 2475
UNLESS OTHERWISE SPECIFIED			