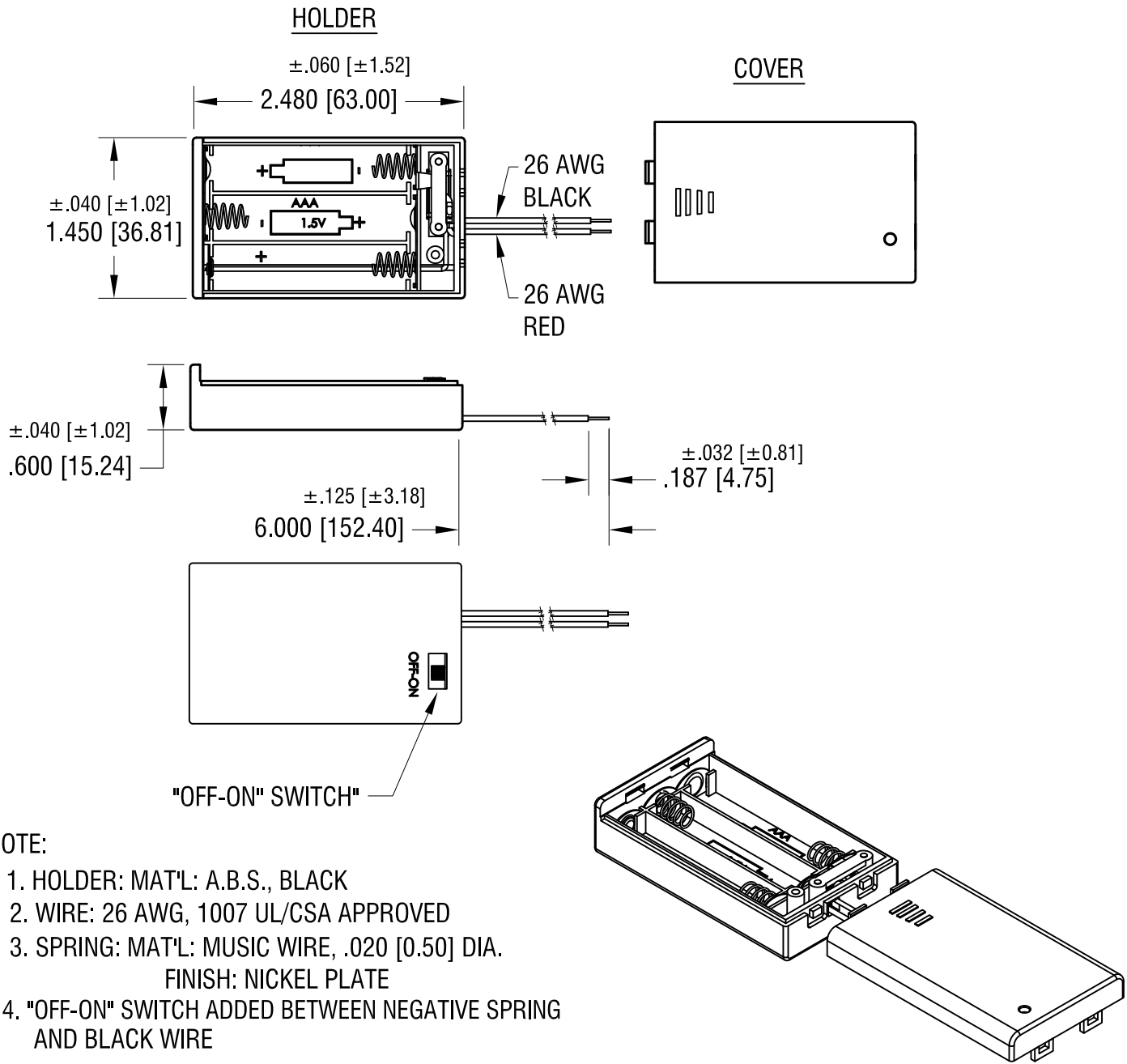


THIS DOCUMENT IS THE PROPERTY OF
KEYSTONE ELECTRONICS CORP. AND
SHALL NOT BE REPRODUCED, DISTRIBUTED
OR USED AS A BASIS FOR MANUFACTURE
WITHOUT PRIOR WRITTEN PERMISSION
FROM KEYSTONE ELECTRONICS CORP.



NOTE:

1. HOLDER: MAT'L: A.B.S., BLACK
2. WIRE: 26 AWG, 1007 UL/CSA APPROVED
3. SPRING: MAT'L: MUSIC WIRE, .020 [0.50] DIA.
FINISH: NICKEL PLATE
4. "OFF-ON" SWITCH ADDED BETWEEN NEGATIVE SPRING
AND BLACK WIRE

| | | | |
|--|--------|----------|---------------|
| KEYSTONE ELECTRONICS CORP. | | | |
| www.keyelco.com • NEW HYDE PARK, NY 11040 • Tel (516) 328-7500 | | | |
| PART NAME | | | |
| BATTERY HOLDER AND COVER (3) 'AAA' | | | |
| MATERIAL | | | |
| AS NOTED | | | |
| FINISH | | DRN BY | DATE |
| AS NOTED | | NT | 12.19.19 |
| | | APP'D | SCALE |
| | | RH | .7X |
| TOLERANCES | INCH | [MM] | CODE |
| DECIMAL | ± .015 | [± 0.38] | C |
| ANGULAR | ± 1° | | DWG NO. |
| UNLESS OTHERWISE SPECIFIED | | | 2484SW |

| | | | |
|------|-------------|------|--|
| DATE | DESCRIPTION | REV. | |
|------|-------------|------|--|