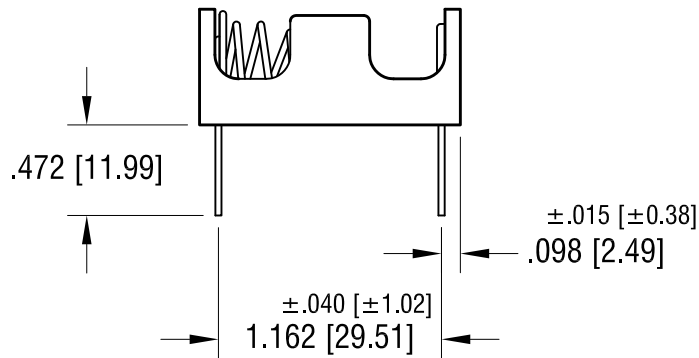
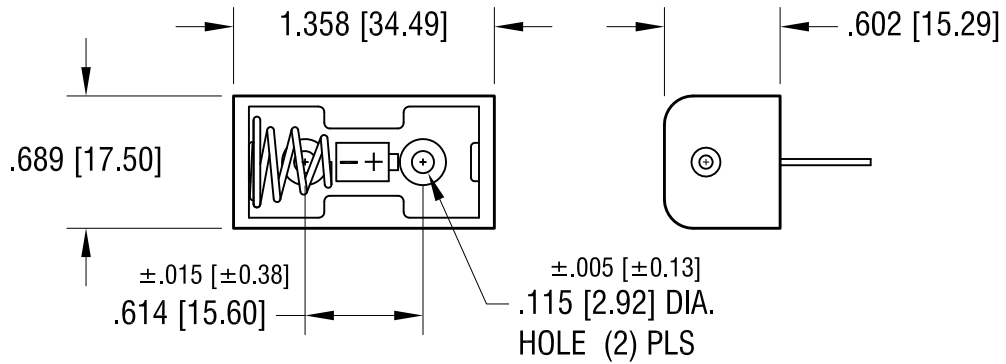
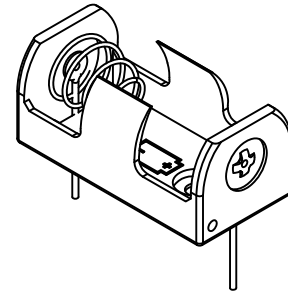
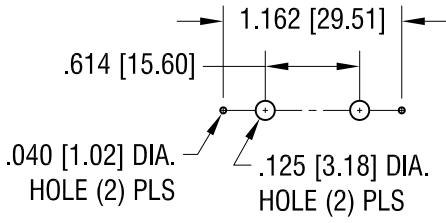


THIS DOCUMENT IS THE PROPERTY OF KEYSTONE ELECTRONICS CORP. AND SHALL NOT BE REPRODUCED, DISTRIBUTED OR USED AS A BASIS FOR MANUFACTURE WITHOUT PRIOR WRITTEN PERMISSION FROM KEYSTONE ELECTRONICS CORP.

**MOUNTING DETAIL**



**NOTE:**

- 1. HOLDER: MAT'L: POLYPROPYLENE
- SPRING: MAT'L: MUSIC WIRE, .024 [0.60] DIA.
- PC TERMINALS: MAT'L: BRASS, .032 [0.81] DIA.

**KEYSTONE ELECTRONICS CORP.**

www.keyelco.com • ASTORIA, N.Y. 11105-2017 • Tel (718) 956-8900

PART NAME		PC BATTERY HOLDER (1) '1/2AA'	
MATERIAL			
AS NOTED			
FINISH		DRN BY	DATE
NICKEL PLATE		BOONE	5.5.05
		APP'D	SCALE
		LN	1X
TOLERANCES		INCH	[MM]
DECIMAL		± .020	[± 0.50]
ANGULAR		± 1°	
UNLESS OTHERWISE SPECIFIED			
CODE	DWG NO.		
C	2485		

7.5.07	CHANGE AS PER ECN 07-041	B
DATE	DESCRIPTION	REV.