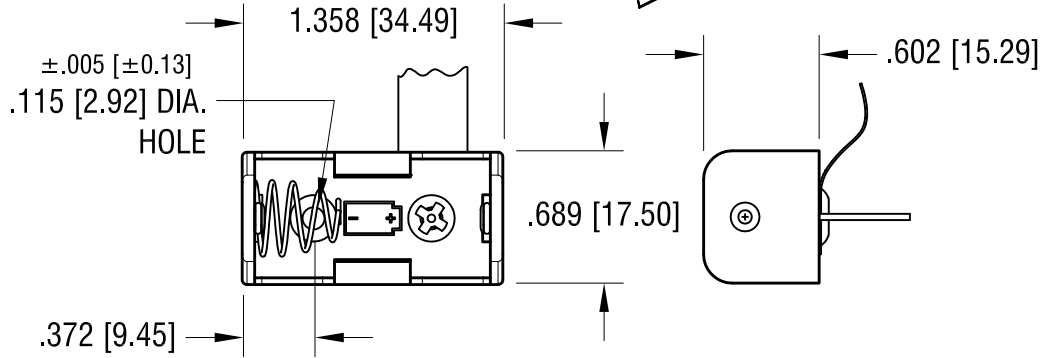
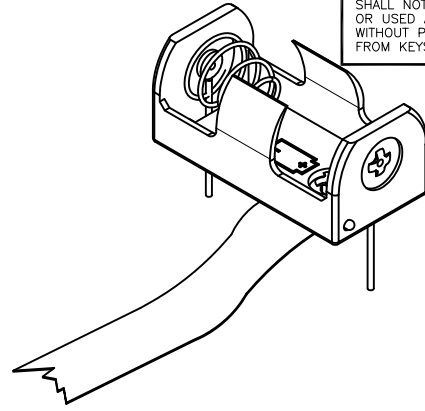
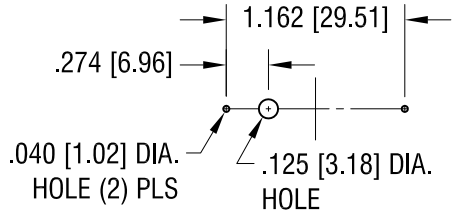
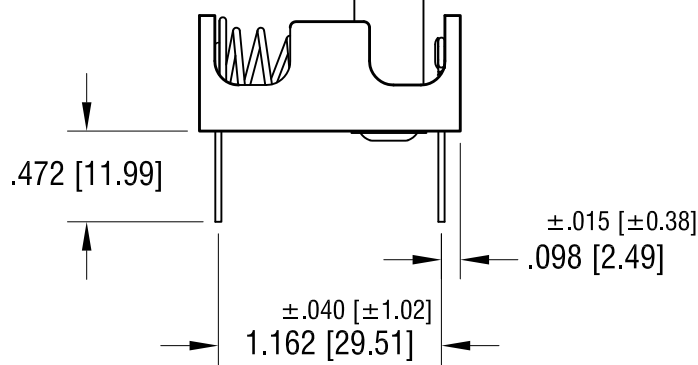


THIS DOCUMENT IS THE PROPERTY OF KEYSTONE ELECTRONICS CORP. AND SHALL NOT BE REPRODUCED, DISTRIBUTED OR USED AS A BASIS FOR MANUFACTURE WITHOUT PRIOR WRITTEN PERMISSION FROM KEYSTONE ELECTRONICS CORP.

MOUNTING DETAIL



RIBBON FOR BATTERY REMOVAL



NOTE:

1. HOLDER: MAT'L: POLYPROPYLENE
2. SPRING: MAT'L: MUSIC WIRE, .024 [0.60] DIA.
3. PC TERMINALS: MAT'L: BRASS, .032 [0.81] DIA.
4. RIBBON: MAT'L: NYLON, RED

KEYSTONE ELECTRONICS CORP.

www.keyelco.com • NEW HYDE PARK, NY 11040 • Tel (516) 328-7500

PART NAME
PC BATTERY HOLDER (1) '1/2AA' W/ RIBBON

MATERIAL

AS NOTED

FINISH

NICKEL PLATE

DRN BY

BOONE

DATE

5.05.05

APP'D

LN

SCALE

1X

7.5.07

CHANGE AS PER ECN 07-041

B

TOLERANCES

INCH

[MM]

CODE

DWG NO.

DECIMAL ±.020 [±0.50]

C

2485RB

DATE

DESCRIPTION

REV.

UNLESS OTHERWISE SPECIFIED