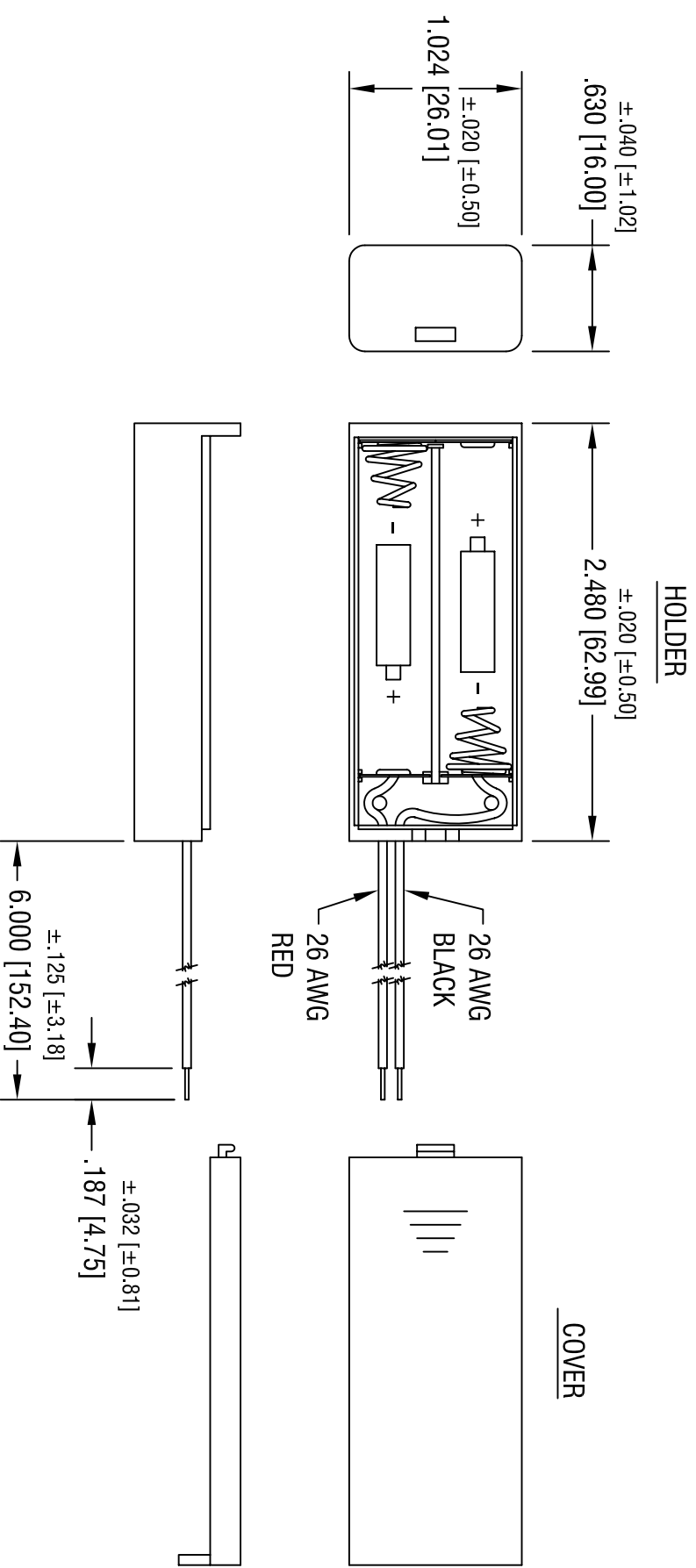


DATE	DESCRIPTION	REV.



NOTE:
 1. HOLDER: MAT'L: A.B.S., BLACK
 WIRE: 26 AWG, 1007 UL/CSA APPROVED
 SPRING: MAT'L: MUSIC WIRE, .020 [0.50] DIA.
 FINISH: NICKEL PLATE

THIS DOCUMENT IS THE PROPERTY OF
 KEYSTONE ELECTRONICS CORP. AND
 SHALL NOT BE REPRODUCED, DISTRIBUTED
 OR USED AS A BASIS FOR MANUFACTURE
 WITHOUT PRIOR WRITTEN PERMISSION
 FROM KEYSTONE ELECTRONICS CORP.

KEYSTONE ELECTRONICS CORP.			
ASTORIA, N.Y. 11105-2017			
PART NAME		BATTERY HOLDER & COVER, (2) YAAI	
MATERIAL		AS NOTED	
FINISH	AS NOTED	DRN BY	BOONE
TOLERANCES	INCH [MM]	DATE	5.4.05
DECIMAL	± .015 [± 0.38]	App'D	LN
ANGULAR	± 1°	SCALE	1X
CODE	C/M	DWG NO.	2489