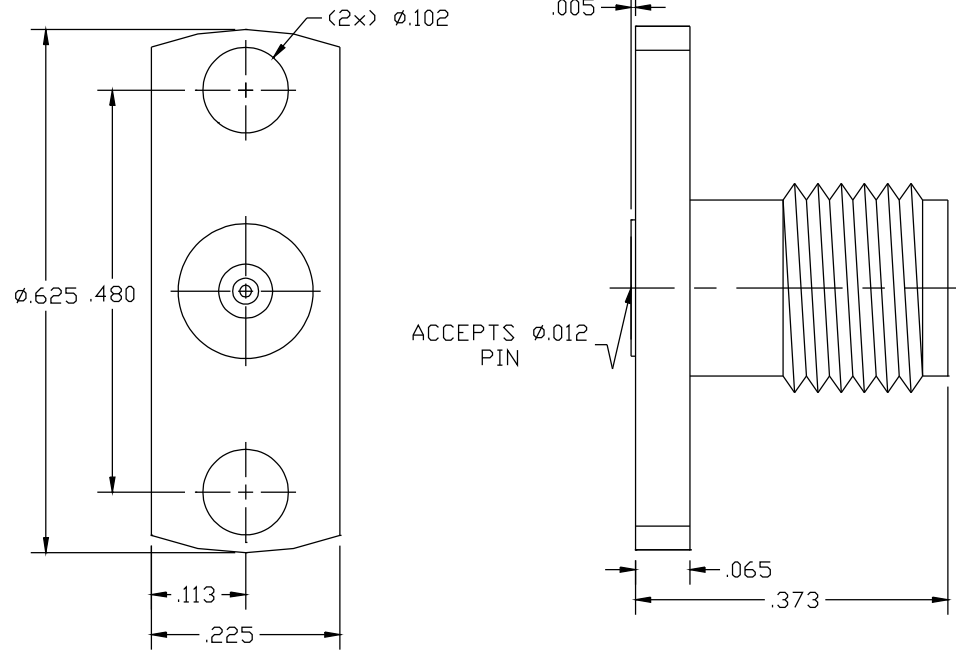



NOTES:

25-130-1500-90

- Materials:** SST. corrosion-resistant, Non Magnetic 303, per ASTM A484 and A582. Beryllium Copper per ASTM-B-196, QQ-C-530 Oxide-Noryl (tm), MIL-P-46129
- Finish:** Center Conductors and solder components shall be plated per MIL-G-45204 Type II, Class 1 over Nickel plate per QQ-N-290. Body and Body components shall be passivated per ASTM A380.
- Frequency:** DC-40 GHz
- VSWR:** 1.25 TO 40 GHz
- Insertion Loss:**  $.05\sqrt{\text{Frequency}}$



LTR	DESCRIPTION	DATE	APPR.	DRAWN	CHECKED	USED ON	 SRI CONNECTOR GAGE CO. 3950 DOW ROAD MELBOURNE FL. 32934		
-	REL	04/03				25-130-1500-90			
						MATERIAL	TITLE		
						FINISH	2.9mm JACK 2 HOLE FLANGE		
						SIZE	FSCM NO.	SHEET	DWG. NO.
						A	OHMO1	1	25-130-1500-90

- UNLESS OTHERWISE SPECIFIED:
1. REMOVE ALL BURRS
  2. BREAK ALL CORNERS & EDGES .005 R. MAX
  3. CHAMFER 1st & LAST THREADS 45°
  4. SURFACE FINISHED 32/ UNLESS OTHERWISE SPECIFIED.
  5. DIAMETERS ON COMMON CENTERS TO BE CONCENTRIC WITHIN .002 T.I.R.
  6. ALL DIMENSIONS ARE AFTER PLATING.

DIMENSIONS ARE IN INCHES TOLERANCES		
DECIMALS	FRACTIONAL	ANGULAR
.X ±.030		.° ±1°0'
.XX ±.010	± 1/64	.X°X' ±15'
.XXX ±.005		