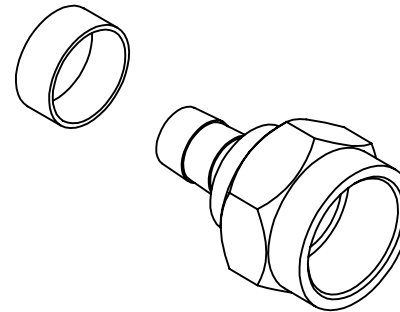
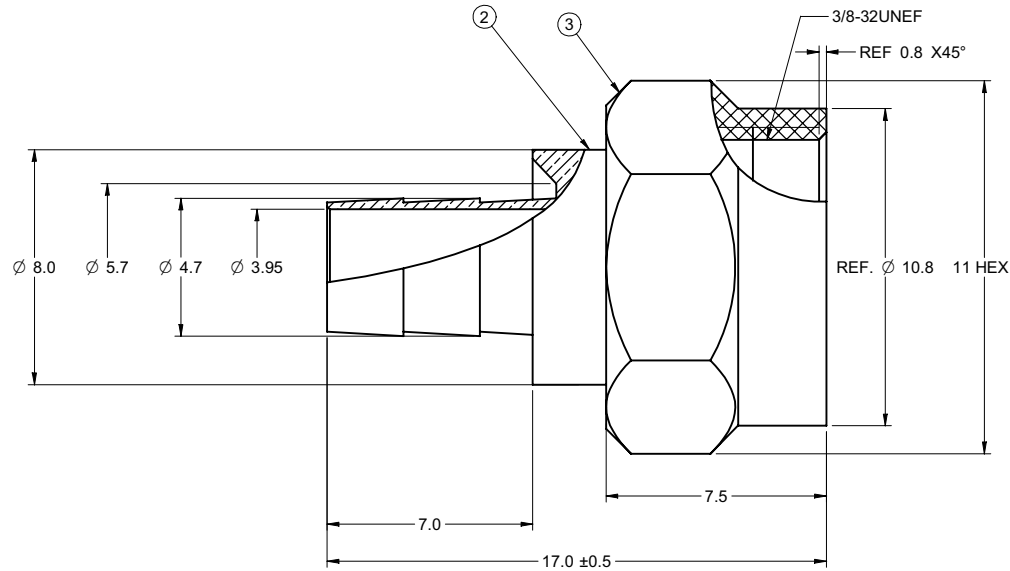
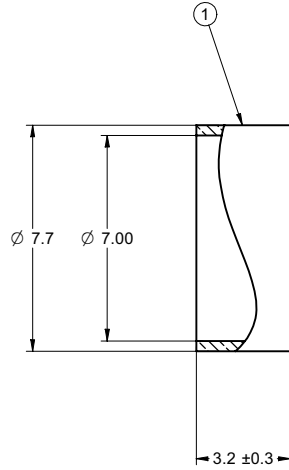


PART NUMBER	ITEM ① SLEEVE	ITEM ② BODY	ITEM ③ NUT
25-7000	BRASS NICKEL PLATED	BRASS NICKEL PLATED	ZINC NICKEL PLATED

受控 CONTROLLED DOCUMENT			
编号 P/N	25-7000	版本 Rev	0C
日期 Rel'd Date	Mar 24,08		

DRAWING NO. 25-7000			
REVISIONS			
RELEASE FOR QUATION			
A	04-20-06	Y	W T
CHANGE OVERALL LENGTH TOLERANCE AND ADD 5&6 NOTES.			
B	12-18-06	L	Y T
UPDATE NOTES.			
C	07-03-07	Z	W T



NOTES:  
TECHNICAL REQUIREMENT AND CABLE ASSEMBLY INSTRUCTION REFER TO  
EMERSON NET WORK POWER CONNECTIVITY SOLUTIONS DOUCUMENT P/N 25-0000.

TOLERANCE UNLESS OTHERWISE SPECIFIED		DRAWN BY GARY.ZHG	DATE 07-03-07
DECIMALS	mm	CHECKED BY IVON.WANG	DATE 07-03-07
X	± 0.5	APPROVED BY THOMAS	DATE 08-07-07
X.X	± 0.2		
X.XX	± 0.1		
ANGLES	± 0.5°	U/M	mm

TITLE F-59 WITH SEPARATE 1/8 RING	
SHEET 1 OF 1	DRAWING NO. 25-7000
SIZE C	

THIS DRAWING TO BE INTERPRETED  
PER ANSI Y 14.5M - 1994  
**COMPANY CONFIDENTIAL**



THIS DRAWING WAS PRODUCED BY COMPUTER,  
DO NOT SCALE DRAWING OR UPDATE MANUALLY.