

5

4

3

2

1

DRAWING NO.  
25-7020

## REVISIONS

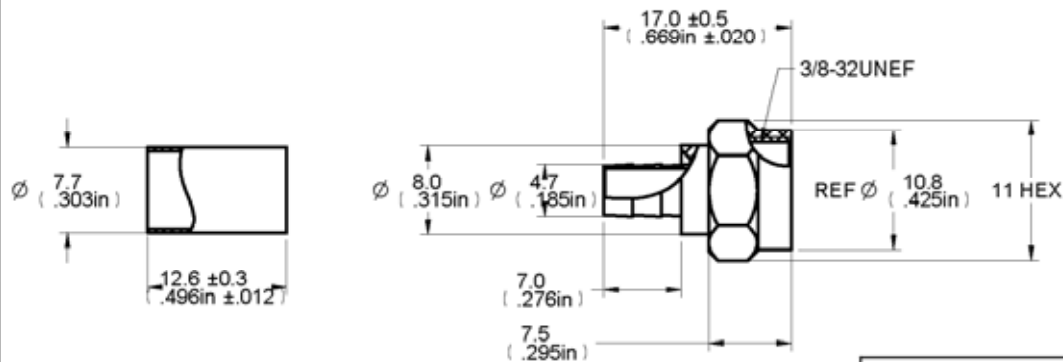
01	OFFICIAL RELEASE			
	10-21-09			Betty

Description: CPF59 1/2 F-59(M) Crimp, RG59  
 Part No: 25-7020  
 Application: For RG-59 cable  
 Crimp Tool: 24-9959P  
 Impedance: 75ohms  
 Frequency Range: 750 MHz  
 Material: Body Nickel plated  
 Sleeve Nickel plated  
 Nut Nickel plated  
 Yes  
 RoHS Compliance: N/A  
 Technical Detail: Refer to Emerson document P/N 25-0000



## 受控 CONTROLLED DOCUMENT

编号 P/N	25-7036-CUST	版本 Rev	01	日期 Rel'd Date	DEC 17,09
-----------	--------------	-----------	----	------------------	-----------



## DIM OUTLINE

TOLERANCE UNLESS OTHERWISE SPECIFIED		DRAWN BY LINDA.WU	DATE 10-21-09
DECIMALS	mm	CHECKED BY LINDA.WU	DATE 10-21-09
X	$\pm 0.5$	APPROVED BY THOMAS	DATE 10-21-09
X.X	$\pm 0.3$	U/M	mm
X.XX	$\pm 0.1$		
ANGLES	$\pm 0.5^\circ$		

CUSTOMER COPY

TITLE  
CPF59 1/2 F-59(M) CRIMP, RG59

SHEET 1 OF 1	DRAWING NO. 25-7020	SIZE A
-----------------	------------------------	-----------

THIS DRAWING WAS PRODUCED BY COMPUTER,  
DO NOT SCALE DRAWING OR UPDATE MANUALLY.

5

4

3

2

1