

5

4

3

2

1

受控 CONTROLLED DOCUMENT

编号 P/N	25-7047-CUST	版本 Rev	01	日期 Rel'd Date	Apr29,09
-----------	--------------	-----------	----	------------------	----------

DRAWING NO.
25-7047-CUST

REVISIONS

01	OFFICIAL RELEASE				Thomas Chow
	03-10-09	Y	U	Y	

Description: F W/Att. 1/2 Ring RG-6 TFE
 Part No: 25-7047
 Application: For Teflon/ Plenum RG-6 Cable
 Crimp Tool: 24-7710 or 24-8866P
 Impedance: 75 Ohms
 Frequency Range: 0-750 MHz
 Material: Body Brass Nickel plated
 Nut Brass Nickel plated
 RoHS Compliance: Yes
 Technical Detail: Refer to Emerson Document P/N 25-0000



D

D

C

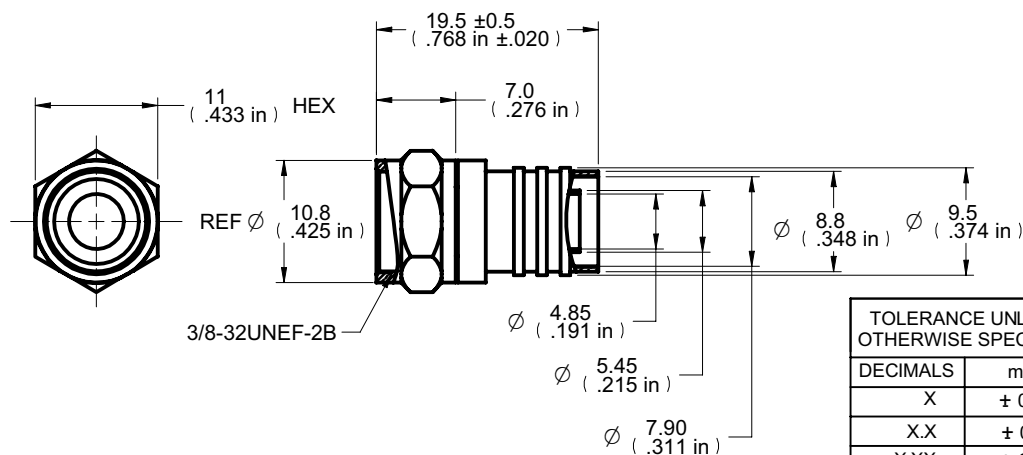
C

B

B

A

A



DIM OUTLINE

CUSTOMER COPY

TOLERANCE UNLESS OTHERWISE SPECIFIED		DRAWN BY	DATE
DECIMALS	mm	BETTY.YU	03-10-09
X	± 0.5	CHECKED BY	DATE
X.X	± 0.3	BETTY.YU	03-10-09
X.XX	± 0.1	APPROVED BY	DATE
ANGLES	± 0.5°	THOMAS	03-10-09
		U/M	mm



TITLE
F W/ATT. 1/2 RING RG-6 TFE

THIS DRAWING WAS PRODUCED BY COMPUTER, DO NOT SCALE DRAWING OR UPDATE MANUALLY.

SHEET	DRAWING NO.	SIZE
1 OF 1	25-7047-CUST	A

5

4

3

2

1