

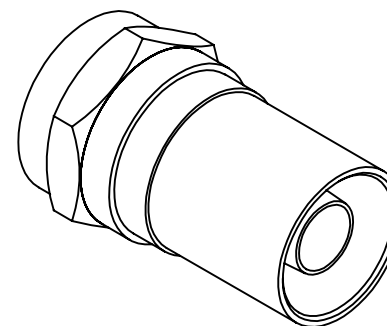
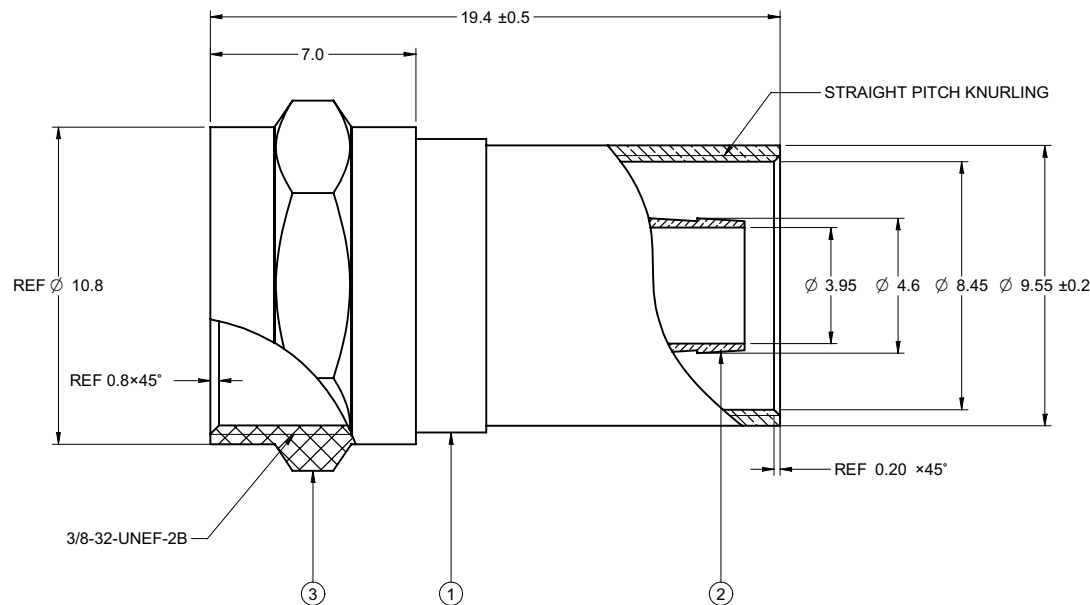
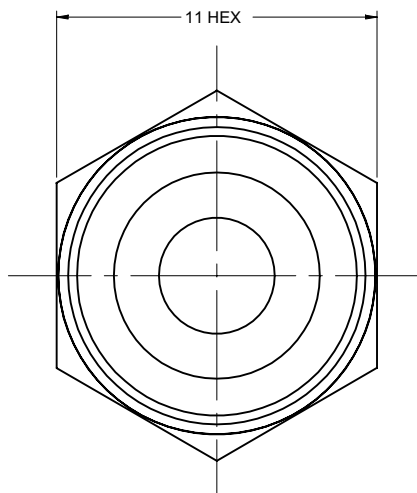
PART NUMBER	ITEM ① SLEEVE	ITEM ② BODY	ITEM ③ NUT
25-7049	BRASS NICKEL PLATED	BRASS NICKEL PLATED	ZINC NICKEL PLATED

受控 CONTROLLED DOCUMENT

编号 P/N	25-7049	版本 Rev	0D	日期 Rel'd Date	Mar 24,08
-----------	---------	-----------	----	------------------	-----------

DRAWING NO.
25-7049

REVISIONS					
RELEASE FOR QUOTATION					
A	04-22-06	L	Y	T	
ADD STRAIGHT PITCH KNURLING DESCRIPTION					
B	08-10-06	L	Y	T	
CHANGE TOL. ON OVER ALL LENGTH ADD TWO DIM. OF CHAMFER ADD NOTES 4 & 5					
C	12-19-06	Z	L	T	
UPDATE NOTES					
D	07-05-07	Z	W	T	



NOTES:

TECHNICAL REQUIREMENT AND CABLE ASSEMBLY INSTRUCTION REFER TO EMERSON NET WORK POWER CONNECTIVITY SOLUTIONS DOUCUMENT P/N 25-0000.

THIS DRAWING TO BE INTERPRETED PER ANSI Y 14.5M - 1994

COMPANY CONFIDENTIAL

TOLERANCE UNLESS OTHERWISE SPECIFIED		DRAWN BY	DATE
DECIMALS	mm	GARY.ZHG	07-05-07
X	± 0.5	CHECKED BY	DATE
X.X	± 0.2	IVON.WANG	07-05-07
X.XX	± 0.1	APPROVED BY	DATE
ANGLES	± 0.5°	THOMAS	08-07-07
	U/M	mm	mm

EMERSON Network Power		Connectivity Solutions	
TITLE F W/ATT. 1/2 RING RG59 TFE			

THIS DRAWING WAS PRODUCED BY COMPUTER, DO NOT SCALE DRAWING OR UPDATE MANUALLY.

SHEET	DRAWING NO.	SIZE
1 OF 1	25-7049	C