

5

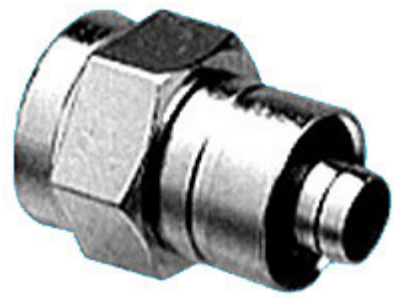
4

3

2

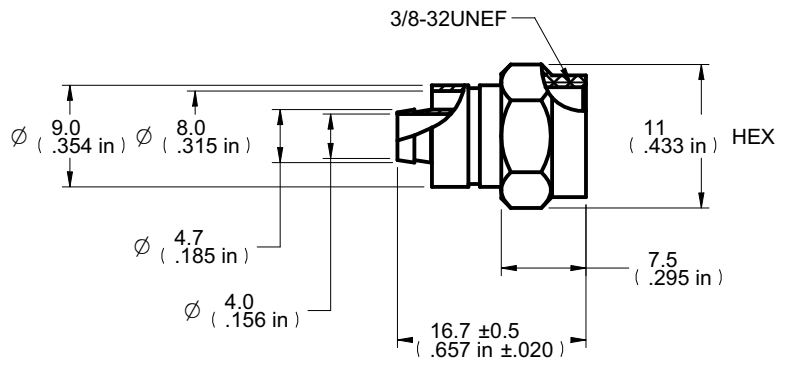
1

DRAWING NO.			
25-7050-CUST			
REVISIONS			
01	OFFICIAL RELEASE		
	08-21-09	Y U	Y U



Description: F-59 With Attached 1/8 Ring  
 Part No: 25-7050  
 Application: For RG59 Cable  
 Crimp Tool: 24-7710 or 24-8866P  
 Impedance: 75 Ohms  
 Frequency Range: 0-750 MHz  
 Material: Body Brass Nickel plated  
 Nut Zinc Nickel plated  
 RoHS Compliance: Yes  
 Technical Detail: Refer to Emerson Document P/N 25-0000

受控 CONTROLLED DOCUMENT					
编号 P/N	25-7050-CUST	版本 Rev	01	日期 Rel'd Date	SEP 14,09



**DIM OUTLINE**

**CUSTOMER COPY**

TOLERANCE UNLESS OTHERWISE SPECIFIED		DRAWN BY	DATE
DECIMALS	mm	BETTY.YU	08-21-09
X	± 0.5	CHECKED BY	DATE
X.X	± 0.3	BETTY.YU	08-21-09
X.XX	± 0.1	APPROVED BY	DATE
ANGLES	± 0.5°	THOMAS	08-21-09
		U/M	mm



TITLE	F-59 WITH ATTACHED 1/8 RING	
SHEET	DRAWING NO.	SIZE
1 OF 1	25-7050-CUST	A

THIS DRAWING WAS PRODUCED BY COMPUTER, DO NOT SCALE DRAWING OR UPDATE MANUALLY.

D

C

B

A

D

C

B

A

5

4

3

2

1