

5

4

3

2

1

DRAWING NO.  
25-7056-CUST

REVISIONS

01	OFFICIAL RELEASE				
	08-21-09	Y	U	Y	T

02	CHANGE DIMENSION FROM Φ8.7 TOΦ8.4				
	06-30-11	L	H	M	

D

D



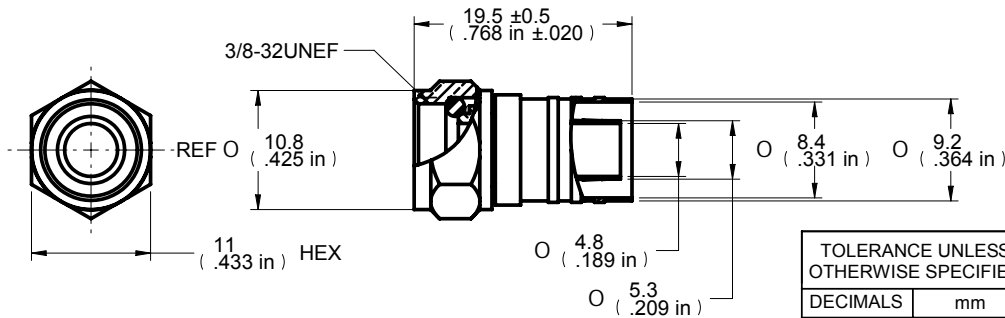
Description: F-56 Alm wp w/1/2 Ring  
 Part No: 25-7056  
 Application: For RG6 Cable  
 Crimp Tool: 24-7710 or 24-8866P  
 Impedance: 75 Ohms  
 Frequency Range: 0-750 MHz  
 Material: Body Brass Chromate plated  
 Nut Brass Chromate plated  
 RoHS Compliance: Yes  
 Technical Detail: Refer to Emerson Document P/N 25-0000

C

C

B

B



CUSTOMER COPY

A

A

TOLERANCE UNLESS OTHERWISE SPECIFIED		DRAWN BY Ma Lin	DATE 06-30-11
DECIMALS	mm	CHECKED BY Hu Yuge	DATE 06-30-11
X	± 0.5	APPROVED BY Wencan Li	DATE 06-30-11
X.X	± 0.3		
X.XX	± 0.1		
ANGLES	± 0.5°	U/M	mm



TITLE  
F-56ALM WP W/ 1/2 RING

SHEET  
1 OF 1

DRAWING NO.  
25-7056-CUST

SIZE  
A

**DIM OUTLINE**

for evaluation only

5

4

3

2

1