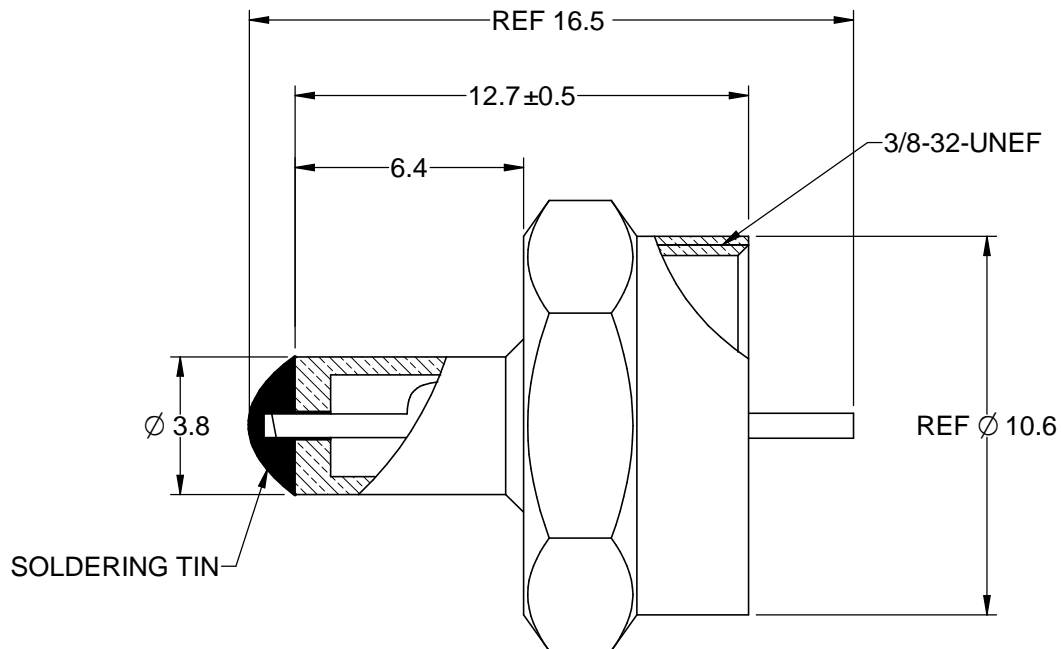
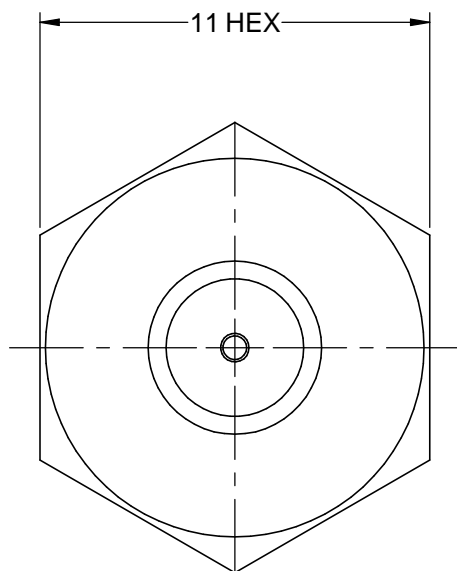




DESCRIPTION: F-59T TERMINATOR 1/4 WATT 5%  
 MODEL NUMBER: 25-7100  
 APPLICATION: TERMINATOR  
 CRIMP TOOL: N/A  
 IMPEDANCE: 75 OHMS  
 FREQUENCY RANGE: 0-750 MHz  
 MATERIAL: BODY BRASS NICKEL PLATED  
 RESISTANCE 75Ω 1/4W  
 RoHS COMPLIANCE: YES  
 TECHNICAL DETAIL: REFER TO CINCH DOCUMENT P/N 25-0000



 <small>© 2015 cinch</small>		<b>AIM-Cambridge</b>	
	<b>RoHS2</b> <input checked="" type="checkbox"/> 2011/65/EU	Title: (CPF59T) F Type Plug Termination for RG59	
<small>This PROPRIETARY Document is property of Cinch Connectivity Solutions. It is confidential in nature, non-transferable, and issued with the clear understanding that it is not to be copied or released without permission and is returnable upon demand.</small>	<small>UNLESS OTHERWISE SPECIFIED UNITS: METRIC</small> .X ±.3 .XX ±.10 ANGLES ±2°	Model No. 25-7100	
<small>INTERPRET DRAWING IN ACCORDANCE WITH ASME Y14.5-2009.</small>	Size A	DO NOT SCALE DRAWING	Date: 2015/6/26 Sheet 1 of 1