

5

4

3

2

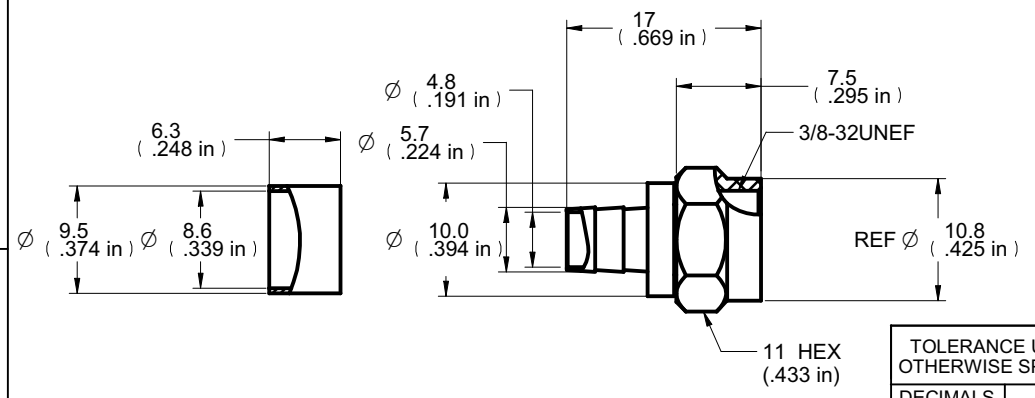
1

DRAWING NO. <b>25-7150-CUST</b>			
REVISIONS			
01	OFFICIAL RELEASE		
	08-21-09	Y U	Y U T H <i>Betty</i>
		2009.09.0	8 09:14:4
		+08000	



Description: F-56 W/SEP 1/4 Ring  
 Part No: 25-7150  
 Application: For RG6 Cable  
 Crimp Tool: 24-7710 or 24-8866P  
 Impedance: 75 Ohms  
 Frequency Range: 0-750 MHz  
 Material: Body Brass Nickel plated  
           Nut Zinc Nickel plated  
           Sleeve Brass Nickel plated  
 RoHS Compliance: Yes  
 Technical Detail: Refer to Emerson Document P/N 25-0000

受控 CONTROLLED DOCUMENT					
编号 P/N	25-7150-CUST	版本 Rev	01	日期 Rel'd Date	SEP 14,09



**DIM OUTLINE**

**CUSTOMER COPY**

TOLERANCE UNLESS OTHERWISE SPECIFIED		DRAWN BY	DATE
DECIMALS	mm	BETTY.YU	08-21-09
X	± 0.5	CHECKED BY	DATE
X.X	± 0.3	BETTY.YU	08-21-09
X.XX	± 0.1	APPROVED BY	DATE
ANGLES	± 0.5°	THOMAS	08-21-09
		U/M	mm



TITLE <b>F-56 W/SEP 1/4 RING</b>		
SHEET 1 OF 1	DRAWING NO. <b>25-7150-CUST</b>	SIZE <b>A</b>

THIS DRAWING WAS PRODUCED BY COMPUTER, DO NOT SCALE DRAWING OR UPDATE MANUALLY.

5

4

3

2

1