

5

4

3

2

1

DRAWING NO.			
25-7192-CUST			
REVISIONS			
01	OFFICIAL RELEASE		2009.09.0
	08-21-09	Y U T H	Betty 8/21/09 13:59 +0800

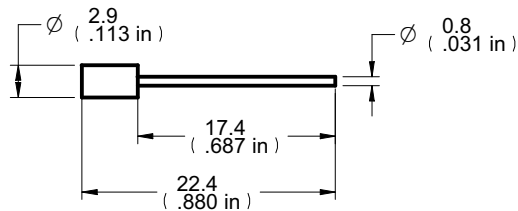
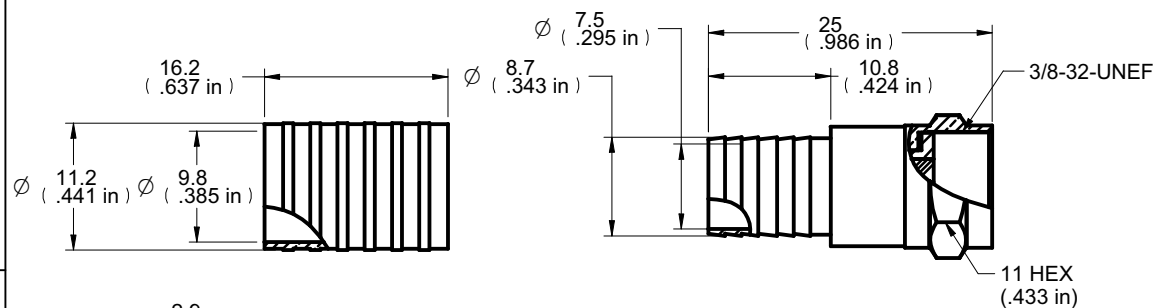


Description: 3PC Crimp RG-11 TFE 1/2 Ring
 Part No: 25-7192
 Application: For Standard RG11 Cable
 Crimp Tool: 24-7712P
 Impedance: 75 Ohms
 Frequency Range: 0-750 MHz
 Material: Body Brass Nickel plated
 Contact Brass Nickel plated
 Insulator Teflon
 Hex Nut Brass Nickel plated
 Sleeve Brass Nickel plated

RoHS Compliance: Yes

Technical Detail: Refer to Emerson Document P/N 25-0000

受控 CONTROLLED DOCUMENT					
编号 P/N	25-7192-CUST	版本 Rev	01	日期 Rel'd Date	SEP 14,09



DIM OUTLINE

CUSTOMER COPY



TOLERANCE UNLESS OTHERWISE SPECIFIED		DRAWN BY	DATE
DECIMALS	mm	BETTY.YU	08-21-09
X	± 0.5	CHECKED BY	DATE
X.X	± 0.3	BETTY.YU	08-21-09
X.XX	± 0.1	APPROVED BY	DATE
ANGLES	± 0.5°	THOMAS	08-21-09
		U/M mm	⊕

TITLE		
3PC CRIMP RG-11 TFE 1/2 RING		

THIS DRAWING WAS PRODUCED BY COMPUTER, DO NOT SCALE DRAWING OR UPDATE MANUALLY.		SHEET	DRAWING NO.	SIZE
		1 OF 1	25-7192-CUST	A

5

4

3

2

1