

5

4

3

2

1

受控 CONTROLLED DOCUMENT

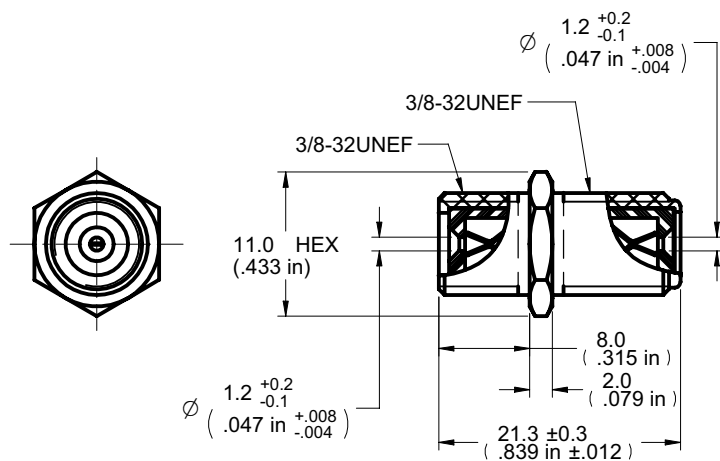
编号 P/N	25-7200-CUST	版本 Rev	01	日期 Rel'd Date	Apr29,09
-----------	--------------	-----------	----	------------------	----------

DRAWING NO. 25-7200-CUST						
REVISIONS						
01	OFFICIAL RELEASE					
	03-10-09	Y	U	Y	U	TH

Description: F-81 Dual Female Inline Splice  
 Part No: 25-7200  
 Application: Adaptor  
 Crimp Tool: N/A  
 Impedance: 75 Ohms  
 Frequency Range: 0-750 MHz  
 Material: Body Zinc Nickel plated  
 Contact P Bronze Tin plated  
 Insulator PE

RoHS Compliance: Yes

Technical Detail: Refer to Emerson Document P/N 25-0000



**DIM OUTLINE**

TOLERANCE UNLESS OTHERWISE SPECIFIED		DRAWN BY	DATE
DECIMALS	mm	BETTY.YU	03-10-09
X	± 0.5	CHECKED BY	DATE
X.X	± 0.3	BETTY.YU	03-10-09
X.XX	± 0.1	APPROVED BY	DATE
ANGLES	± 0.5°	THOMAS	03-10-09
		U/M	mm

CUSTOMER COPY



TITLE  
F-81 DUAL FEMALE INLINE SPLICE

THIS DRAWING WAS PRODUCED BY COMPUTER, DO NOT SCALE DRAWING OR UPDATE MANUALLY.

SHEET	DRAWING NO.	SIZE
1 OF 1	25-7200-CUST	A

5

4

3

2

1