

5

4

3

2

1

受控 CONTROLLED DOCUMENT

编号 P/N	25-7210-CUST	版本 Rev	01	日期 Rel'd Date	Apr29,09
-----------	--------------	-----------	----	------------------	----------

DRAWING NO. 25-7210-CUST					
REVISIONS					
01	OFFICIAL RELEASE				
	03-10-09	Y	U	U	TH

D

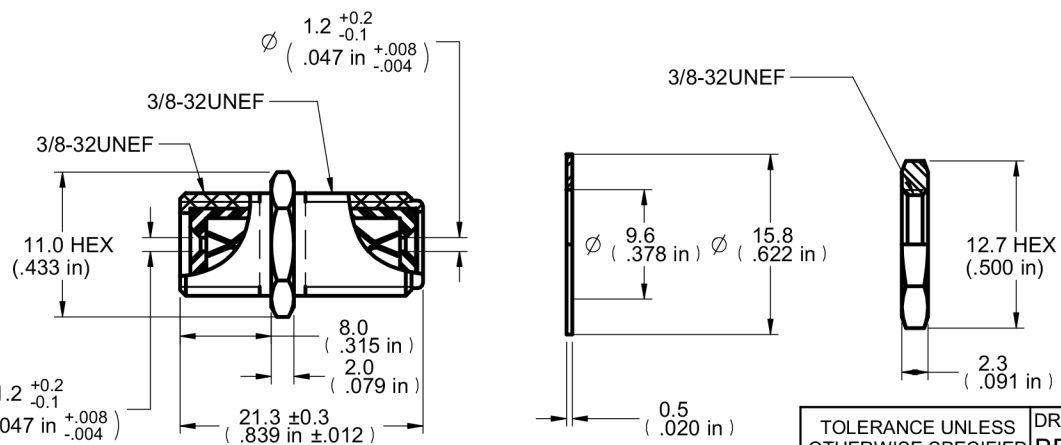
C

B

A



Description: F-81 Splice Nut & Washer
 Part No: 25-7210
 Application: Adaptor
 Crimp Tool: N/A
 Impedance: 75 Ohms
 Frequency Range: 0-750 MHz
 Material: Body Zinc Nickel plated
 Contact P Bronze Tin plated
 Insulator PE
 Washer Steel Nickel plated
 Nut Steel Nickel plated
 RoHS Compliance: Yes
 Technical Detail: Refer to Emerson Document P/N 25-0000



DIM OUTLINE

CUSTOMER COPY

TOLERANCE UNLESS OTHERWISE SPECIFIED		DRAWN BY	DATE
DECIMALS	mm	BETTY.YU	03-10-09
X	± 0.5	CHECKED BY	DATE
X.X	± 0.3	BETTY.YU	03-10-09
X.XX	± 0.1	APPROVED BY	DATE
ANGLES	$\pm 0.5^\circ$	THOMAS	03-10-09
		U/M	mm



TITLE F-81 SPLICE NUT & WASHER		
SHEET 1 OF 1	DRAWING NO. 25-7210-CUST	SIZE A

THIS DRAWING WAS PRODUCED BY COMPUTER, DO NOT SCALE DRAWING OR UPDATE MANUALLY.

5

4

3

2

1