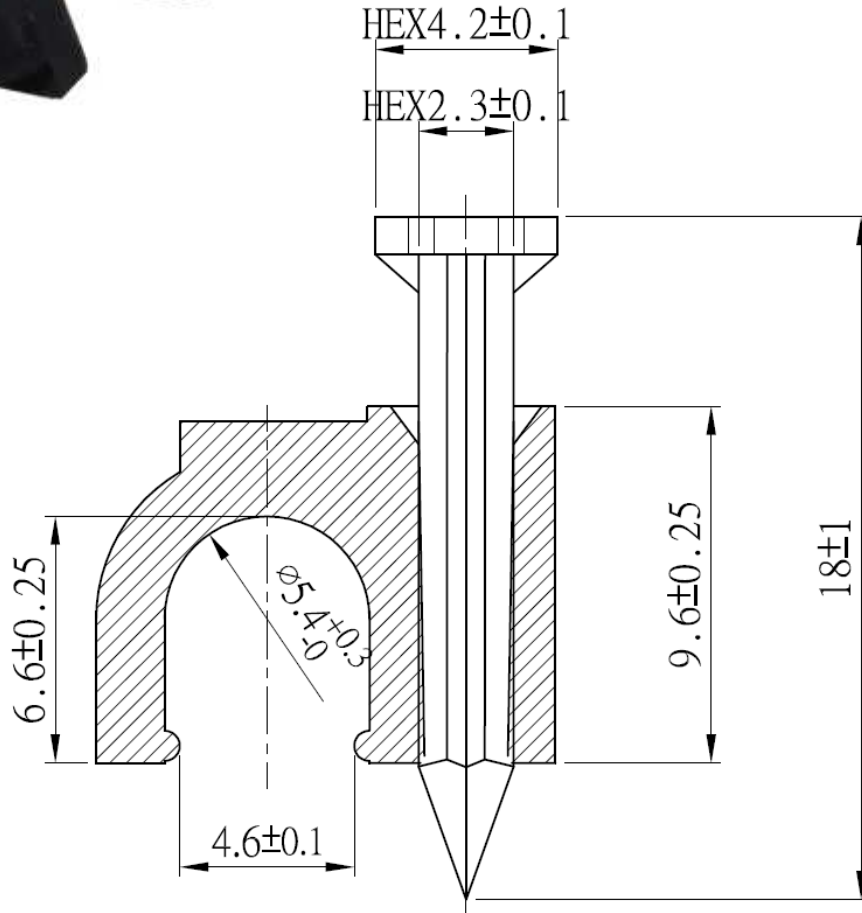




DESCRIPTION: CABLE CLIP, RG59 SINGLE BLACK  
 MODEL NUMBER: 25-7260  
 APPLICATION: PLASTIC CABLE CLIPS WITH MOUNTING NAIL  
 CRIMP TOOL: N/A  
 IMPEDANCE: N/A  
 FREQUENCY RANGE: N/A  
 MATERIAL: NAIL STEEL  
 BRACKET PE COLOR BLACK  
 RoHS COMPLIANCE: YES  
 TECHNICAL DETAIL: N/A



	3RD ANGLE PROJECTION 	<b>AIM-Cambridge</b>	
	RoHS <input checked="" type="checkbox"/> 2002/95/EC	Title: Cable Clip, RG59 Single Black	
<small>This PROPRIETARY Document is property of Cinch Connectivity Solutions. It is confidential in nature, non-transferable, and issued with the clear understanding that it is not traced or copied without permission and is returnable upon demand.</small>	<small>UNLESS OTHERWISE SPECIFIED UNITS: METRIC</small> .XX ± .51 .XXX ± .127 ANGLES ± 2°	Model No. 25-7260	
<small>INTERPRET DRAWING IN ACCORDANCE WITH ASME Y14.5-2009.</small>	Size A	DO NOT SCALE DRAWING	Date: 9/25/2013 Sheet 1 of 1