

5

4

3

2

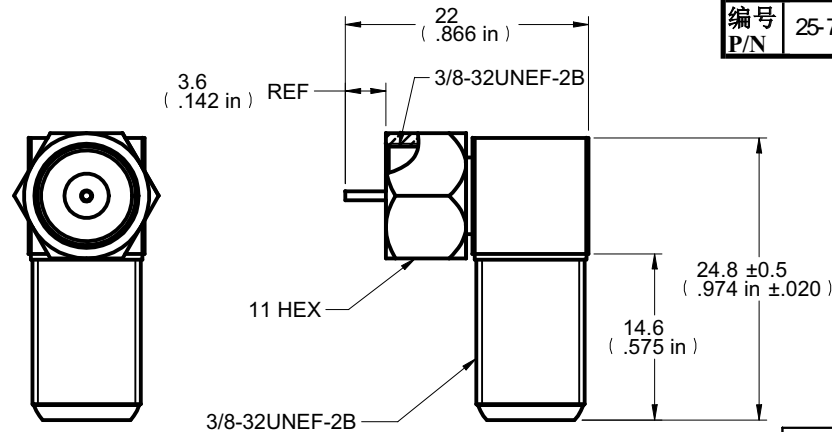
1

Description: F Male To F FM Right Angle
 Part No: 25-7600
 Application: Adapter
 Crimp Tool: N/A
 Impedance: 75 Ohms
 Frequency Range: 0-750 MHz
 Material: Body Zinc Nickel plated
 Contact Brass Nickel plated
 Nut Brass Nickel plated
 RoHS Compliance: Yes
 Technical Detail: Refer to Emerson Document P/N 25-0000



DRAWING NO.	
25-7600-CUST	
REVISIONS	
01	OFFICIAL RELEASE
08-21-09	Y U Y U T H Betty 20090908 09:11:42 +0800

受控 CONTROLLED DOCUMENT					
编号 P/N	25-7600-CUST	版本 Rev	01	日期 Rel'd Date	SEP 14,09



DIM OUTLINE

TOLERANCE UNLESS OTHERWISE SPECIFIED		DRAWN BY		DATE	
DECIMALS	mm	BETTY.YU		08-21-09	
X	± 0.5	CHECKED BY		DATE	
X.X	± 0.3	BETTY.YU		08-21-09	
X.XX	± 0.1	APPROVED BY		DATE	
ANGLES	± 0.5°	THOMAS		08-21-09	
		U/M	mm	⊕ ⚡	

CUSTOMER COPY



TITLE F MALE TO F FM RIGHT ANGLE

THIS DRAWING WAS PRODUCED BY COMPUTER, DO NOT SCALE DRAWING OR UPDATE MANUALLY.

SHEET 1 OF 1	DRAWING NO. 25-7600-CUST	SIZE A
--------------	--------------------------	--------

5

4

3

2

1