



DESCRIPTION: F JACK SIDE EDGE, PCB MOUNT

MODEL NUMBER: 25-7630

APPLICATION: PCB MOUNT

CRIMP TOOL: N/A

IMPEDANCE: 75 OHM

FREQUENCY RANGE: 0-1 GHz

RETURN LOSS: 34dB (0-250MHz)

23dB (250-750MHz)

19dB (750~1GHz)

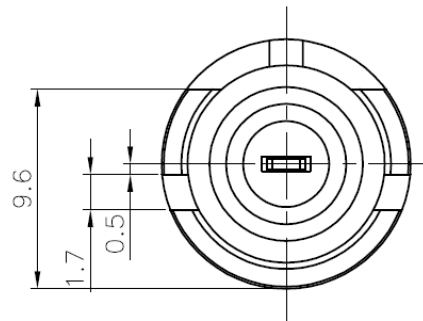
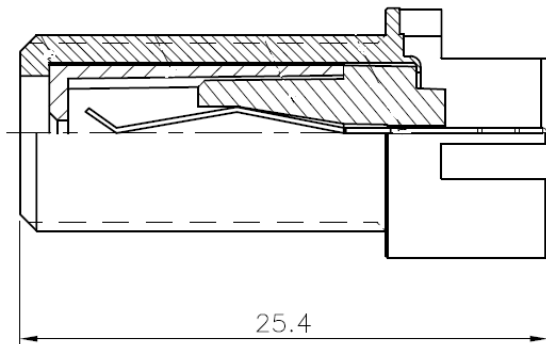
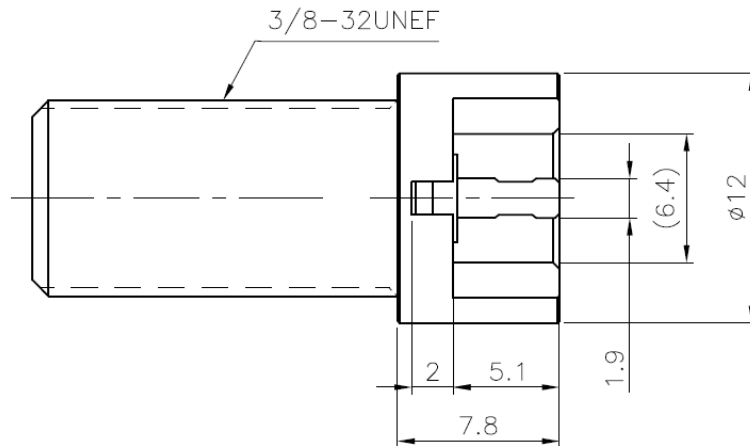
MATERIAL: BODY BRASS SN PLATED

INSULATOR PP

CONTACT PHOS. BRNZ SN PLATED

RoHS COMPLIANCE: YES

TECHNICAL DETAIL: REFET TO EMERSON DOCUMENT 25-0000



<p>EMERSON Network Power Connectivity Solutions</p> <p><small>This PROPRIETARY Document is property of Emerson Network Power, Connectivity Solutions. It is confidential in nature, non-transferable, and issued with the clear understanding that it is not traced or copied without permission and is reparable upon demand.</small></p> <p>INTERPRET DRAWING IN ACCORDANCE WITH ASME Y14.5-2009.</p>	<p>3RD ANGLE PROJECTION</p>	<p>AIM-Cambridge</p>			
		<p>Title: (CPF61SE) F Jack side edge, PCB Mount</p>			
<p>RoHS <input checked="" type="checkbox"/> 2002/95/EC</p> <p>UNLESS OTHERWISE SPECIFIED UNITS: METRIC</p> <p>.XX ±.51 .XXX ±.127 ANGLES ±2°</p>	<p>Model No. 25-7630</p>	<p>Size A</p>	<p>DO NOT SCALE DRAWING</p>	<p>Date: 10/16/2013</p>	<p>Sheet 1 of 1</p>