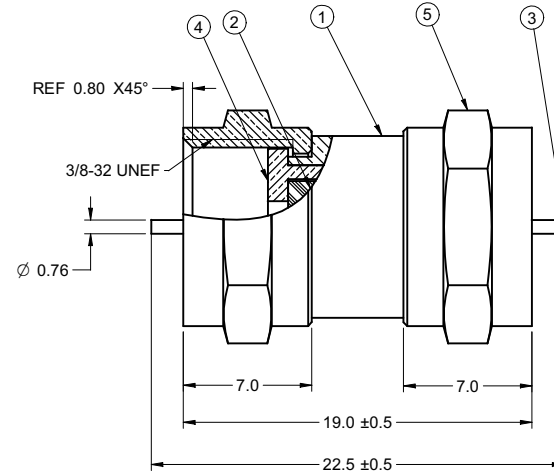
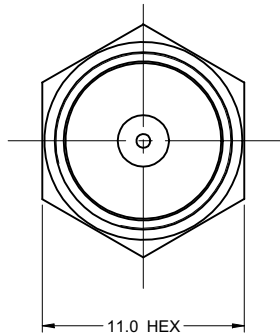
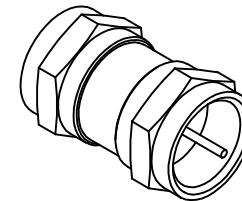


PART NUMBER	ITEM ① BODY	ITEM ② INSULATOR	ITEM ③ CONTACT	ITEM ④ INSERT	ITEM ⑤ NUT
25-7640	BRASS NICKEL PLATED	DELRIN	BRASS NICKEL PLATED	BRASS NICKEL PLATED	BRASS NICKEL PLATED

DRAWING NO. 25-7640			
REVISIONS			
OFFICIAL RELEASE			
01	08-17-09	T W G	T G <i>Betty</i>



受控 CONTROLLED DOCUMENT					
编号 P/N	25-7640	版本 Rev	01	日期 Rel'd Date	SEP 14,09



NOTES:

1. TECHNICAL DETAIL: REFER TO EMERSON DOCUMENT P/N 25-0000

THIS DRAWING TO BE INTERPRETED
PER ANSI Y 14.5M - 1994

COMPANY CONFIDENTIAL

TOLERANCE UNLESS OTHERWISE SPECIFIED		DRAWN BY TERRY.W	DATE 08-17-09
DECIMALS	mm	CHECKED BY GARY.ZHG	DATE 08-17-09
X	± 0.5	APPROVED BY THOMAS	DATE 08-17-09
X.X	± 0.2	U/M	mm
X.XX	± 0.1		
ANGLES	± 0.5°		

EMERSON Network Power		Connectivity Solutions	
TITLE F-71 MALE TO MALE INLINE SPLICE			
SHEET 1 OF 1	DRAWING NO. 25-7640	SIZE C	

THIS DRAWING WAS PRODUCED BY COMPUTER,
DO NOT SCALE DRAWING OR UPDATE MANUALLY.