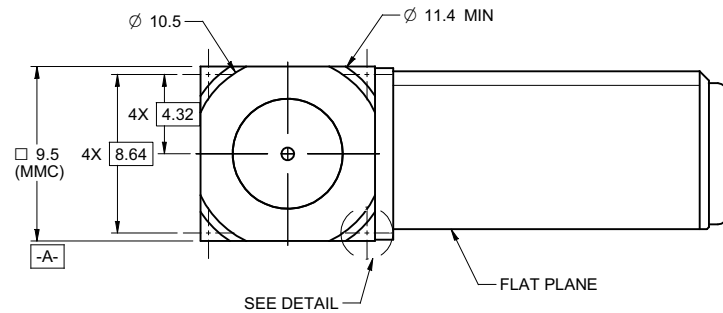
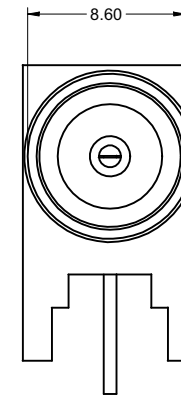
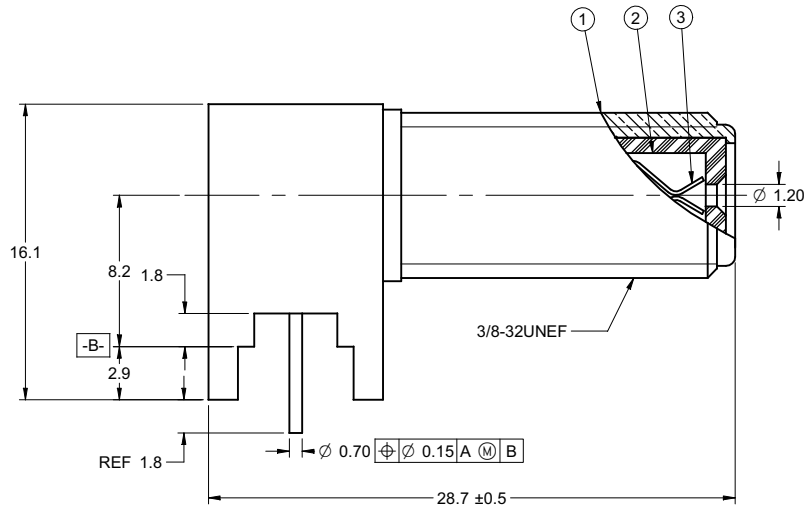
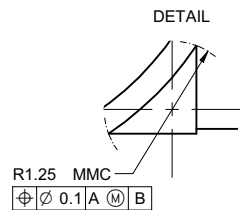


PART NUMBER	ITEM ① BODY	ITEM ② INSULATOR	ITEM ③ CONTACT
25-7652	BRASS TIN PLATED	DELTRIN	P BRONZE TIN PLATED

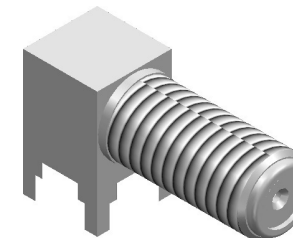
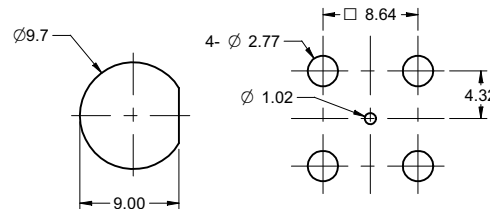
DRAWING NO. 25-7652	
REVISIONS	
01	OFFICIAL RELEASE 08-17-09
	2009.09.0 08.09.13.36 +08.00



受控 CONTROLLED DOCUMENT					
编号 P/N	25-7652	版本 Rev	01	日期 Rel'd Date	SEP 14,09



RECOMMENDED MOUNTING HOLE DIMENSIONS



NOTES:

1. TECHNICAL DETAIL: REFER TO EMERSON DOCUMENT P/N 25-0000

THIS DRAWING TO BE INTERPRETED  
PER ANSI Y 14.5M - 1994

COMPANY CONFIDENTIAL

TOLERANCE UNLESS OTHERWISE SPECIFIED		DRAWN BY BETTY.YU		DATE 08-17-09	
DECIMALS	mm	CHECKED BY BETTY.YU		DATE 08-17-09	
X	+ 0.5	APPROVED BY THOMAS		DATE 08-17-09	
X.X	+ 0.2	U/M		mm	
X.XX	+ 0.1	U/M		mm	
ANGLES	+ 0.5°	U/M		mm	
THIS DRAWING WAS PRODUCED BY COMPUTER, DO NOT SCALE DRAWING OR UPDATE MANUALLY.					
SHEET 1 OF 1	DRAWING NO. 25-7652			SIZE C	

**EMERSON**  
Network Power  
Connectivity  
Solutions  
TITLE  
F RIGHT ANGLE PCB MOUNT / SHORT