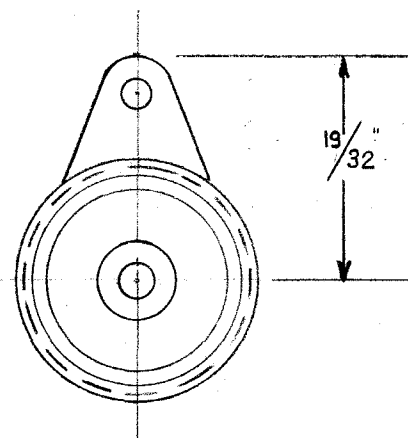
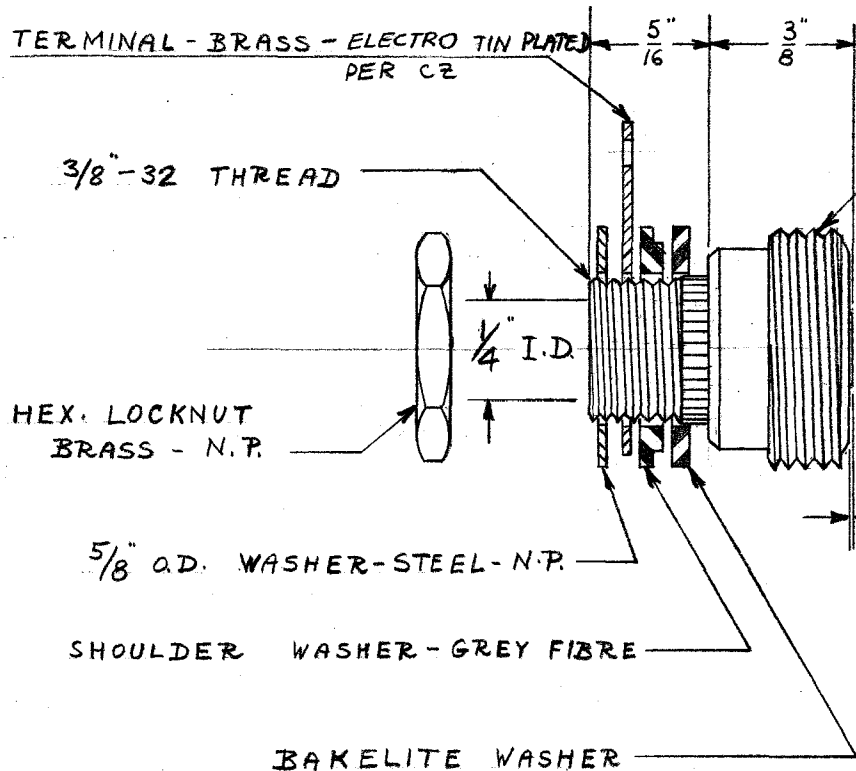


MAX. PLATING .0003"

2501 MP

PART NO.



**MATERIALS:**

1. BODY - BRASS - NICKEL PLATE
2. INSULATOR - PAPER BASE PHENOLIC
3. EYELET - BRASS - TIN PLATED

REVISIONS

2	(A) DIM. ADDED	12-18-53
A	ELECTRO TIN PLATED PER C2 WAS NOT TINNED	E.B. 11-9-88 ECO 14667

SIZE

WIDTH

MULT.

LBS. PER M

USED ON

REQ.

NAME

SINGLE CONTACT

PANEL CONNECTOR

MALE TYPE

DRAWN BY

L.D.

DATE

8-11-52

CHECKED

APPROVED

SOURCE

SCALE

2:1

ISSUE

A

DATE

12-18-53

PART NO.

2501 MP

SWITCHCRAFT, INC.

1328 N. HALSTED ST.

CHICAGO 22, ILLINOIS