

3M™ Textool™ Axial Lead ZIP Strip Sockets

.050" (1.27 mm) x .100" (2.54 mm)



- For devices with .050" (1.27 mm) lead centers unformed or extending axially from package
- Socket without top-plate cover enables horizontal insertion of leads
- Frequently used in pairs to handle any non-standard Flat Pack with leads on .050" (1.27 mm) centers
- Order left and right hand versions separately to obtain a complete pair
- Lever actuated zero insertion force mechanism
- Accepts pins up 0.14" (0.36 mm) to 0.25" (0.64 mm) square

Date Modified: September 17, 2012

TS-0364-B
Sheet 1 of 2

Physical

Insulation

Material: Glass Filled Polysulfone

Flammability: UL 94V-0

Color: Green

Marking: 3M Logo & Part Number Identifier

Contact:

Material: Beryllium Copper

Plating: 30 μ" (0.76 μm) Gold over 50 μ" (1.3 μm) Nickel

Electrical

Current Rating: 1 Amp

Insulation Resistance: > 1 ¥ 109 W at 500 Vdc

Withstanding Voltage: 1000 Vrms at Sea Level

Environmental

Operating Temperature Rating: - 55°C to +125°C



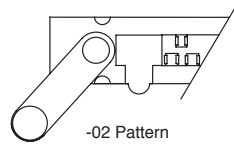
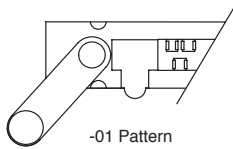
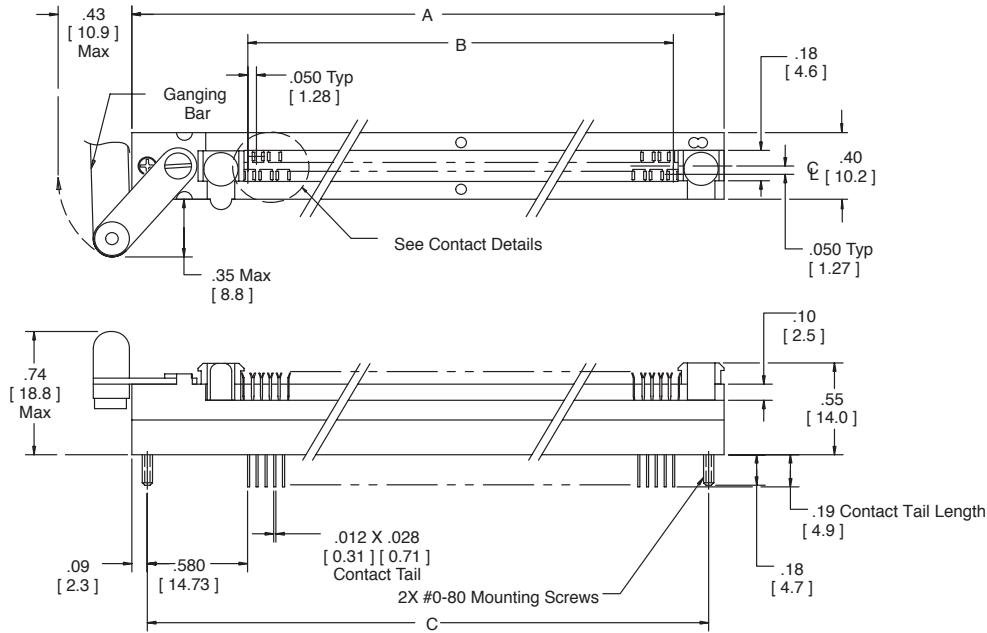
Electronic Solutions Division
Interconnect Solutions
<http://www.3Mconnectors.com>

3M is a trademark of 3M Company.
For technical, sales or ordering information call
800-225-5373

3M™ Textool™ Axial Lead ZIP Strip Sockets

.050" (1.27 mm) x .100" (2.54 mm)

Contact Quantity	Dimensions		
	A	B	C
34	2.65 [67.3]	1.650 [41.91]	2.46 [62.5]
35	2.65 [67.3]	1.700 [43.18]	2.46 [62.5]
36	3.45 [87.6]	2.500 [63.50]	3.27 [83.1]



Dimension	Tolerance $\frac{\text{inch}}{\text{mm}}$	
		$\frac{.00}{(.0)}$
Tolerance	$\frac{\pm .010}{(\pm .25)}$	$\frac{\pm .005}{(\pm .13)}$

Ordering Information

Socket Part Number	Contact Quantity
234-3034-01-0602	34
234-3034-02-0602	
235-3019-01-0602	35
235-3019-02-0602	
251-5949-01-0602	51
251-5949-02-0602	

Contact Pattern

TS-0364-B
Sheet 2 of 2



Electronic Solutions Division
Interconnect Solutions
<http://www.3Mconnectors.com>

3M is a trademark of 3M Company.
For technical, sales or ordering information call
800-225-5373