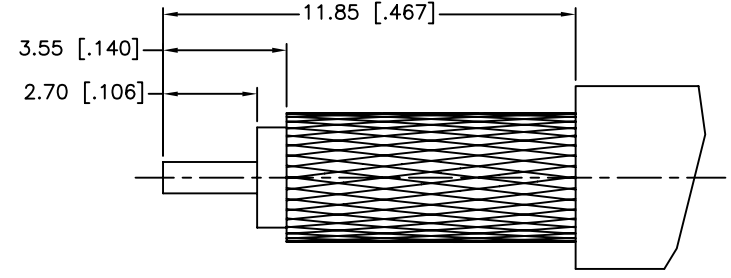
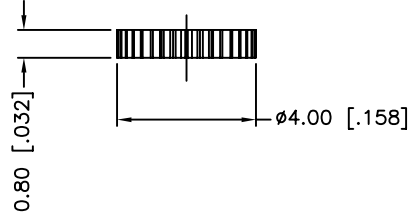
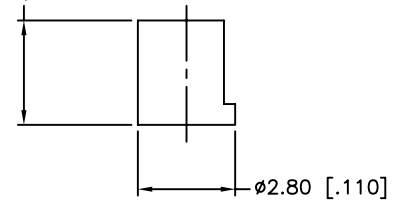
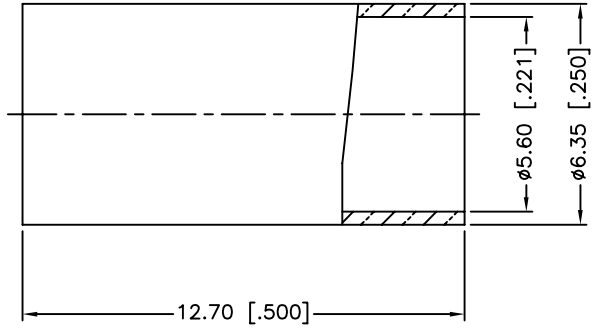
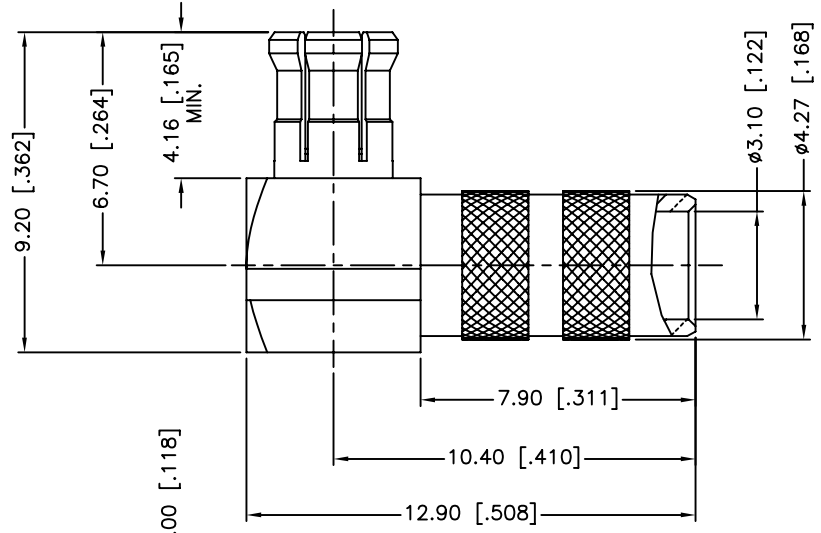
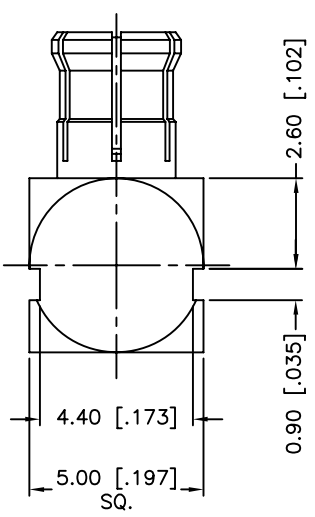


| REV. | DATE | ECR NO. | DESCRIPTION |
|------|----------|---------|-----------------|
| NC | 06/24/09 | XXXXXX | INITIAL RELEASE |



RECOMMENDED
CABLE STRIPPING DIM'S

1. CRIMPED FERRULE
HEX CRIMP SIZE .213"
2. CONTACT PIN TO SOLDER

| | | | | |
|---|-------------|-------------|---------|-----|
| 7 | FERRULE | BRASS | GOLD | 1 |
| 6 | COVER | BRASS | GOLD | 1 |
| 5 | INSULATOR | DELTRIN | NATURAL | 1 |
| 4 | CONTACT PIN | BRASS | GOLD | 1 |
| 3 | INSULATOR | PTFE | NATURAL | 1 |
| 2 | BODY | BER. COPPER | GOLD | 1 |
| 1 | HOUSING | BRASS | GOLD | 1 |
| | DESCRIPTION | MATERIAL | FINISH | QTY |

UNLESS OTHERWISE SPECIFIED DIMENSIONS ARE IN MILLIMETERS. DIMENSIONS IN [] ARE IN INCHES AND FOR CUSTOMER REFERENCE ONLY.

UNLESS OTHERWISE SPECIFIED TOLERANCES FOR MILLIMETERS ARE:
0.5 - 8mm ± 0.20mm
8 - 30mm ± 0.40mm
30 - 120mm ± 0.50mm

UNLESS OTHERWISE SPECIFIED TOLERANCES FOR INCHES ARE:
.020 - .315 = ± 0.007"
.315 - 1.180 = ± 0.015"
1.180 - 4.724 = ± 0.020"

DO NOT SCALE DRAWING

| | |
|---------------|----------------------|
| APPROVALS | DATE |
| DRAWN M.ZHANG | 06/24/09 |
| CHECKED | |
| ISSUED | |
| SHEET 1 OF 1 | |
| CAD FILE | C:/CONNEX/252123.DWG |

Amphenol Connex

PART DESCRIPTION
**MCX R/A CRIMP PLUG
(FOR RG-55/U,142A/U, 223/U, 400/U)**

PART NO.
252123

| | | | |
|---------------------|---------|--------|----------|
| DWG. NO. 252123.DWG | REV. NC | SIZE A | SCALE NA |
|---------------------|---------|--------|----------|