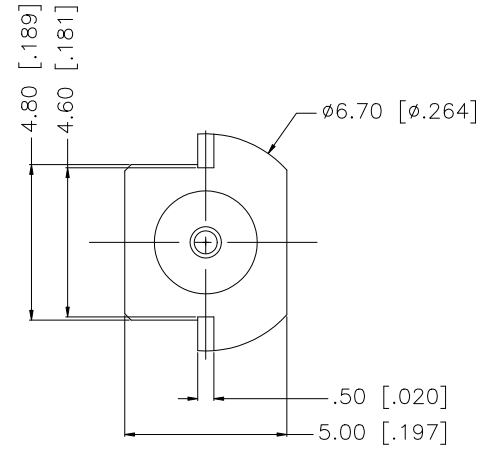
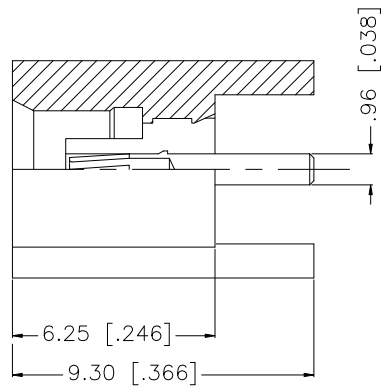


REV.	DATE	ECR NO.	DESCRIPTION
NC	12/15/98	-	INITIAL RELEASE
A	05/31/08	-	UPDATE DRAWING FORMAT, REVISE INSULATOR TO PTFE



8				
7				
6				
5				
4				
3	CONTACT PIN	BER. COPPER	GOLD	1
2	INSULATOR	PTFE	NATURAL	1
1	BODY	BRASS	GOLD	1
	DESCRIPTION	MATERIAL	FINISH	QTY

UNLESS OTHERWISE SPECIFIED DIMENSIONS ARE IN MILLIMETERS. DIMENSIONS IN [] ARE IN INCHES AND FOR CUSTOMER REFERENCE ONLY.

UNLESS OTHERWISE SPECIFIED TOLERANCES FOR MILLIMETERS ARE:
0.5 - 8mm ± 0.20mm
8 - 30mm ± 0.40mm
30 - 120mm ± 0.50mm

UNLESS OTHERWISE SPECIFIED TOLERANCES FOR INCHES ARE:
.020 - .315 = ± 0.007"
.315 - 1.180 = ± 0.015"
1.180 - 4.724 = ± 0.020"

DO NOT SCALE DRAWING

APPROVALS		DATE
DRAWN	GRS	05/31/08
CHECKED		
ISSUED		
SHEET	1 OF 1	
CAD FILE	C:/252/252151.DWG	

Amphenol Connex

PART DESCRIPTION				
MCX EDGECARD P.C.B. MOUNT JACK				
PART NO. 252151				
DWG. NO.	252151.DWG	REV.	A	SCALE NA
		SIZE	A	