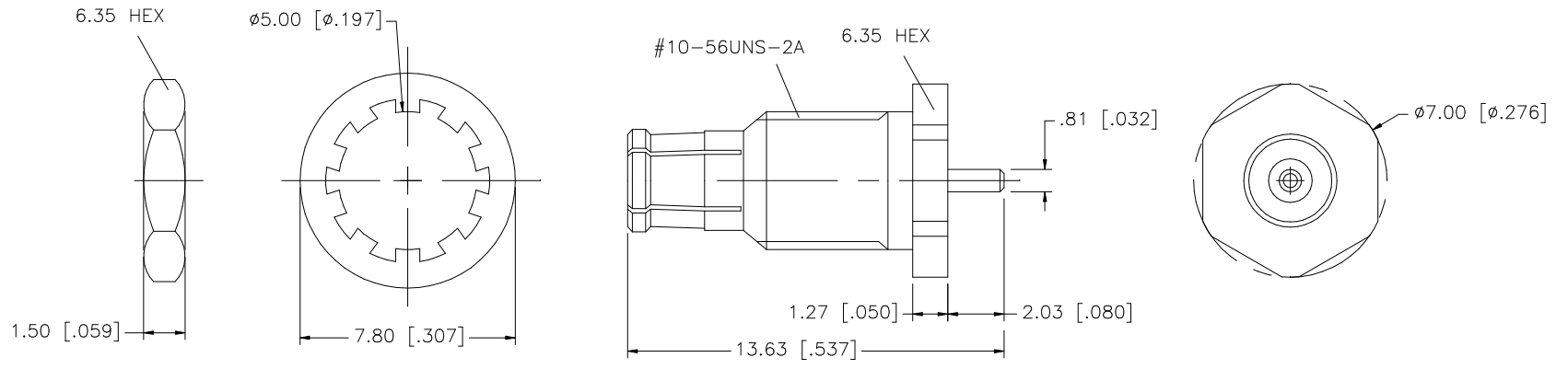


REV.	DATE	DESCRIPTION
A	04/31/03	UPDATE DRAWING FORMAT



NOTE:  
1. MAX. PANEL THICKNESS = 3mm

REV.	DATE	DESCRIPTION
A	04/31/03	UPDATE DRAWING FORMAT

8					<small>UNLESS OTHERWISE SPECIFIED DIMENSIONS ARE IN MILLIMETERS. DIMENSIONS IN [ ] ARE IN INCHES AND FOR CUSTOMER REFERENCE ONLY.</small>  <small>UNLESS OTHERWISE SPECIFIED TOLERANCES FOR MILLIMETERS ARE: 0.5 - 8mm ± 0.20mm 8 - 30mm ± 0.40mm 30 - 120mm ± 0.50mm</small>  <small>UNLESS OTHERWISE SPECIFIED TOLERANCES FOR INCHES ARE: .020 - .315 = ± 0.007" .315 - 1.180 = ± 0.015" 1.180 - 4.724 = ± 0.020"</small>	APPROVALS	DATE	<h1 style="color: blue;">Amphenol Connex</h1>						
7				DRAWN		G.R.S.	04/31/03							
6				CHECKED										
5	HEX NUT	BRASS	GOLD	1		ISSUED								
4	LOCK WASHER	BRASS	GOLD	1		SHEET	1 OF 1							
3	CONTACT PIN	BRASS	GOLD	1		PART DESCRIPTION								
2	INSULATOR	TEFLON	NATURAL	1		MCX BULKHEAD PLUG RECEPTACLE								
1	BODY	BER. COPPER	GOLD	1		PART NO. 252173								
DO NOT SCALE DRAWING					CAD FILE	C:/252/252173.DWG	DWG. NO.	252173.DWG	REV.	A	SIZE	A	SCALE	NA