

NOTES:

1. MATERIALS AND FINISHES

BODY - BRASS, GOLD PLATING
 CONTACT - BERYLLIUM COPPER, GOLD PLATING
 INSULATOR - PTFE, NATURAL

2. ELECTRICAL:

A. IMPEDANCE: 50 OHM, NOMINAL
 B. FREQUENCY RANGE: DC-6 GHz
 C. D.W.V: 1000 VRMS, MIN.

3. MECHANICAL:

A. ENGAGE/DISENGAGE FORCE: 5.6 LBS MAX. ENGAGEMENT
 1.0 LBS MIN. DISENGAGEMENT
 8.0 LBS MAX. DISENGAGEMENT
 B. DURABILITY: 500 CYCLES MIN.
 C. TEMPERATURE RANGE: -65°C TO +165°C

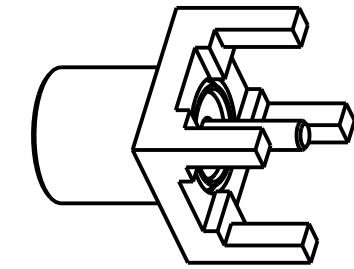
4. PACKAGING: TAPE & REEL PACKAGING. 600 PCS/REEL

5. ALL MATERIALS SHOULD ACCORD WITH RoHS STANDARD.

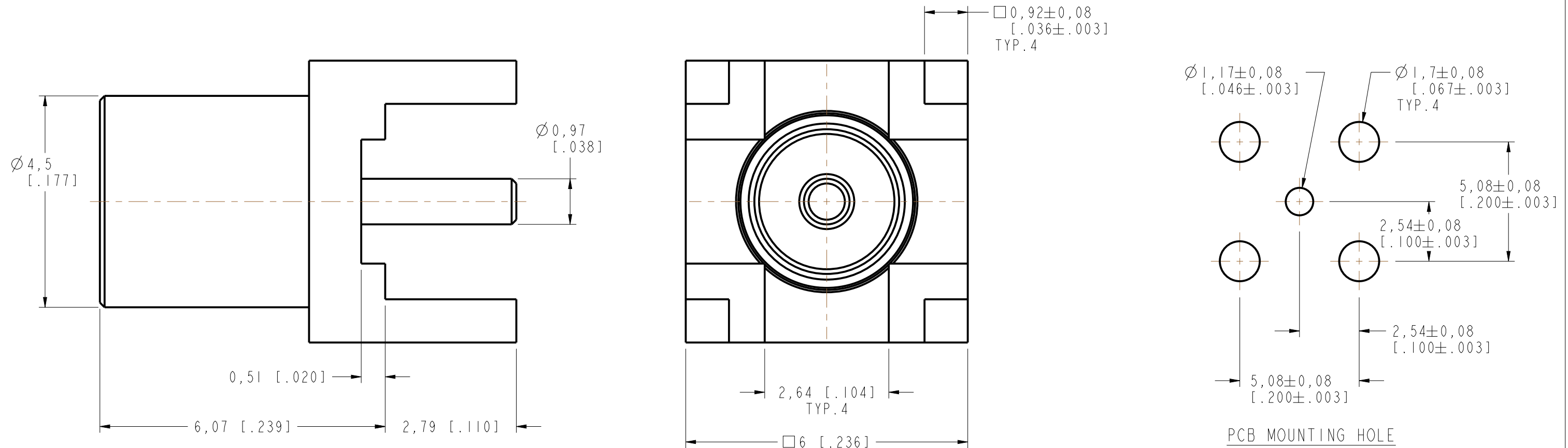
THIRD ANGLE PROJ.

REVISIONS

REV	DESCRIPTION	DATE	ECO	APPR
A	RELEASE TO MFG.	12-Sep-14	2794	MZ



SCALE 4.000



CUSTOMER OUTLINE DRAWING

ALL OTHER SHEETS ARE FOR INTERNAL USE ONLY

<p>UNLESS OTHERWISE SPECIFIED, DIMENSIONS ARE IN METRIC AND TOLERANCES ARE: <0.5mm ± 0.05mm 0.5 - 6mm ± 0.1mm 6 - 30mm ± 0.2mm 30 - 120mm ± 0.3mm ANGLES ± 1°</p> <p>NOTICE - These drawings, specifications, or other data (1) are, and remain the property of Amphenol corp. (2) must be returned upon request; and (3) are confidential and not to be disclosed to any person other than those to whom they are given by Amphenol Corp. the furnishing of these drawings, specifications, or other data by Amphenol Corp., or to any other person to anyone for any purpose is not to be regarded by implication or otherwise in any manner licensing, granting rights to permitting such holder or any other person to manufacture, use or sell any product, process or design, patented or otherwise, that may in any way be related to or disclosed by said drawings, specifications, or other data.</p>	MATERIAL	DRAWN M.ZHANG	DATE 12-Sep-14	TITLE MCX PCB MOUNT JACK	Amphenol Connex
	REFERENCE MCX6251B3-004-10GT30G-50	ENGINEER S.DUAN	DATE 12-Sep-14		
	CONFIGURATION LEVEL: In Work	APPROVED S.HSIEH	DATE 12-Sep-14	SCALE: 10.0:1.0 SHEET 3 OF 3	ITEM NO.
	FINISH	CAD FILE	DWG SIZE B	REV A	PART NO. 252218