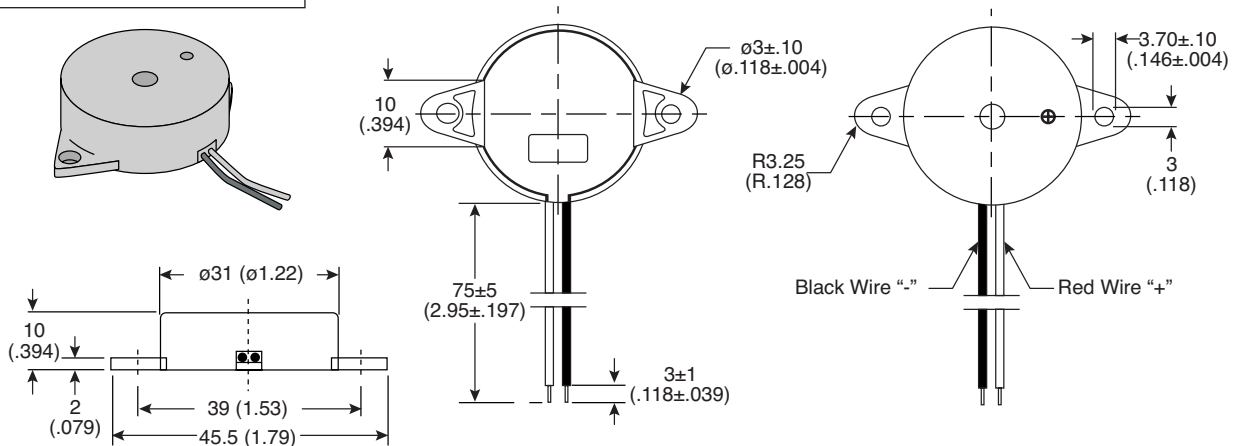
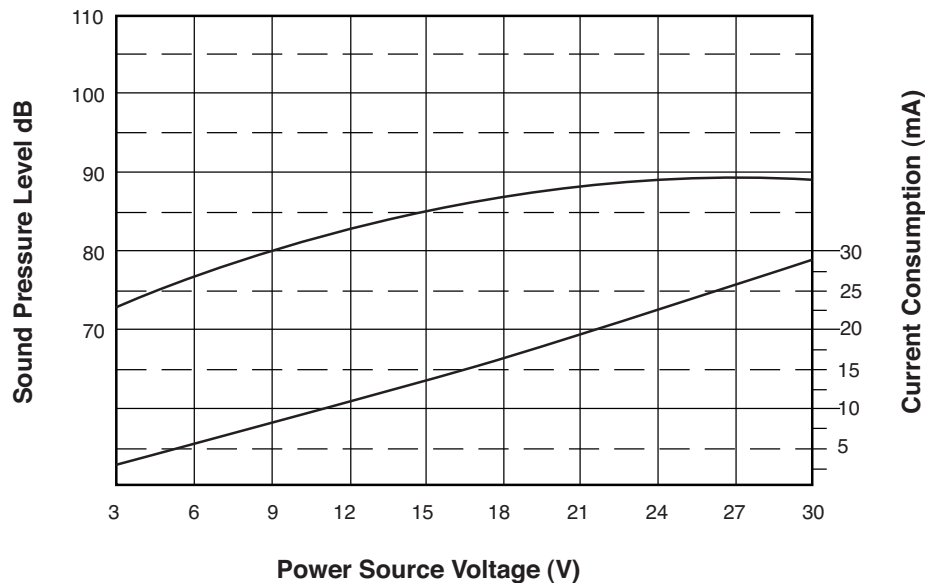


**Part Number:**

254-PB511-ROX



**Piezoelectric Buzzer  
(Self-Drive)**



KT-400411

**Electrical Specifications:**

- Sound Pressure Level: 80dB min./30cm./9VDC
- Oscillating Frequency: 2.5 ± 0.5KHz
- Current Consumption: 8mA max./9VDC
- Operating Voltage: 3 to 30VDC

**Materials:**

- Tone: Continuous
- Case: PBT
- Lead Wire: 28AWG
- Weight: 7 grams

**Mechanical Specifications:**

- Operating Temperature: -30°C to +70°C
- Storage Temperature: -40°C to +85°C

**Note:**

- RoHS compliant by exemption