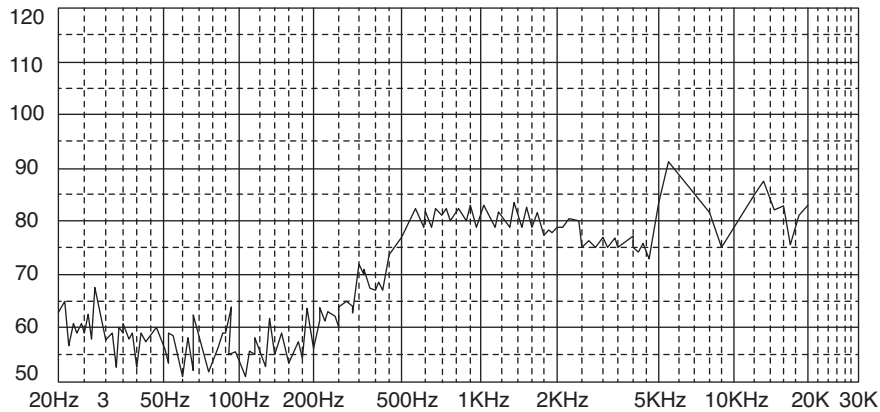
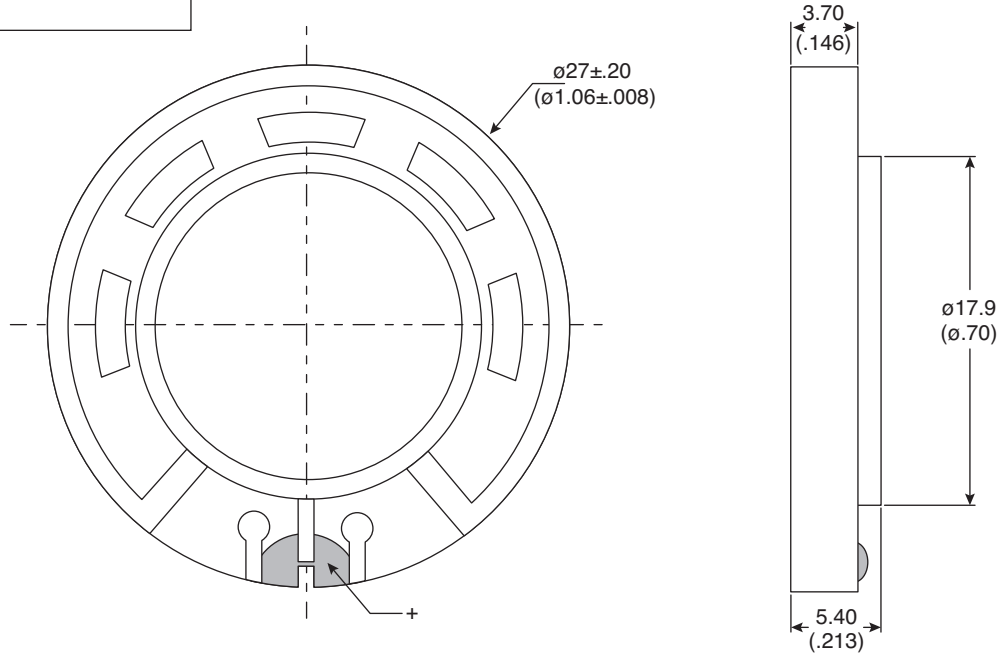


Part Number:

254-PS604-RO



Speaker

KT-400278

Electrical Specifications:

- Nominal Impedance: 32Ω ±15% @ 1400Hz/1.0V
- Power Rating: Normal 0.2W Maximum 0.5W
- Lowest Resonant Frequency: 680 ±150Hz
- Output Sound Pressure Level (S.P.L.): 80 ±3dB / 0.2W
0.5 Meter. Avg at 1000 ~ 2000Hz
- Frequency Range: 400 ~ 7,000Hz average SPL-10 dB
- Distortion: Max. 5% at 1000Hz 0.2W

Material:

- Magnet: NdFeB
- Weight: 5.0g

Note:

- RoHS Compliant