

3M™ Textool™ Shrink DIP Sockets .070"



- For DIPs with .070" (1.78 mm) lead spacing
- Pin counts from 28 through 90 leads
- Lever actuated zero insertion force mechanism
- Socket contact point of .090" (2.29 mm) below top surface of socket

Date Modified: September 14, 2012

TS-0366-B
Sheet 1 of 2

Physical

Insulation

Material: Glass Filled Polysulfone

Flammability: UL 94V-0

Color: Green

Marking: 3M Logo & Part Number Identifier

Contact:

Material: Beryllium Copper

Plating: Gold Flash over 50 μ " [1.3 μ m] Nickel

Electrical

Current Rating: 1 Amp

Insulation Resistance: 10^3 M Ω min. at 500 Vdc

Withstanding Voltage: 1000 Vrms at Sea Level

Environmental

Temperature Rating: -55°C to +125°C

Mechanical

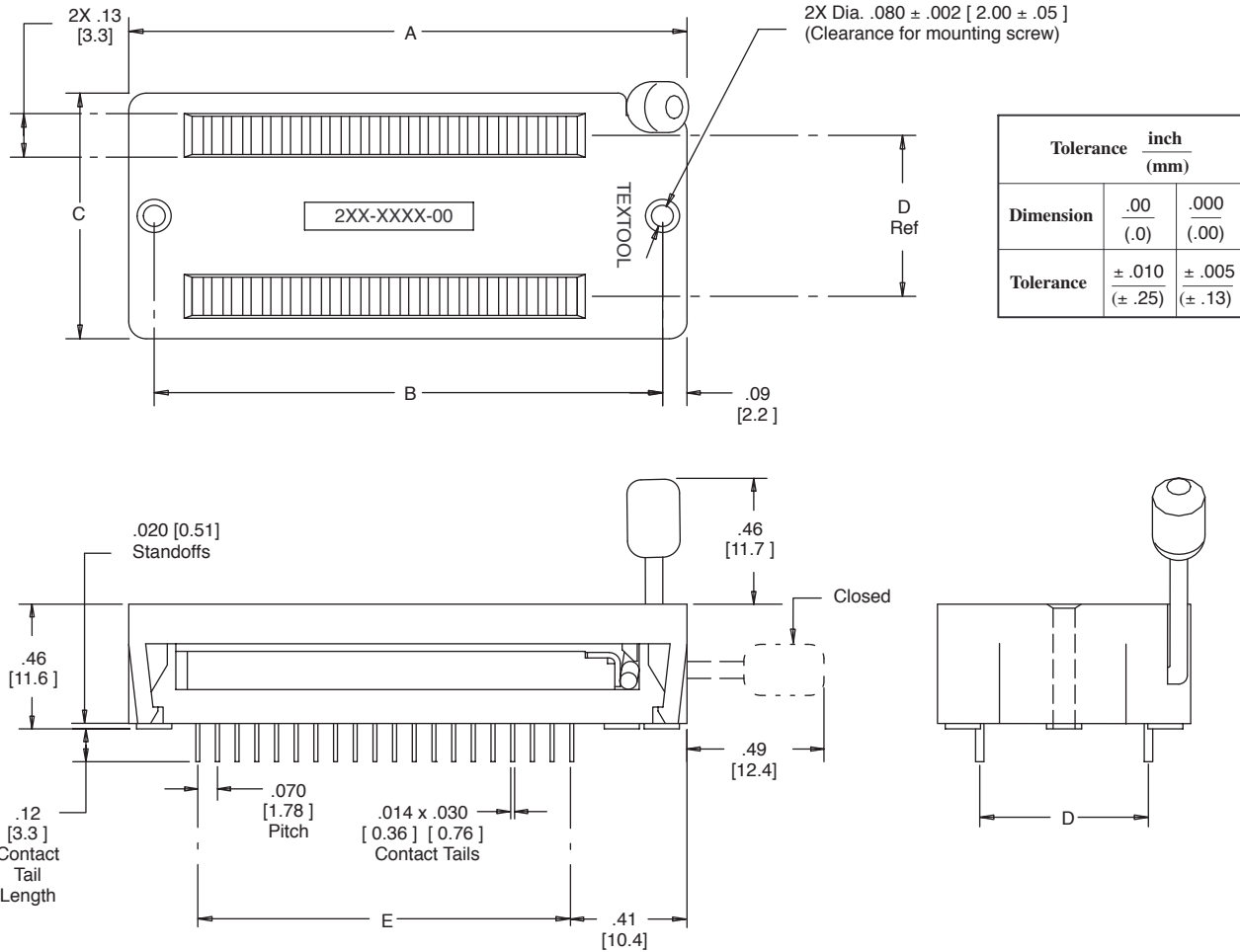
When used as a test socket at room temperature 24°C the socket will last 20,000 actuations.



3M™ Textool™ Shrink DIP Sockets

.070"

Dimensions					
Contact Quantity	A	B	C	D	E
28	1.60 [40.5]	1.42 [36.1]	.70 [17.8]	.40 [10.16]	.91 [23.14]
32	1.73 [44.0]	1.56 [39.6]	.70 [17.8]	.40 [10.16]	1.05 [26.67]
42	2.10 [52.9]	1.90 [48.5]	.90 [22.9]	.60 [15.24]	1.40 [35.60]
56	2.57 [65.4]	2.40 [61.0]	.90 [22.9]	.60 [15.24]	1.89 [48.01]
64	2.90 [72.5]	2.68 [68.0]	1.10 [28.3]	.80 [20.70]	2.20 [55.18]
90	3.77 [95.7]	3.59 [91.3]	1.23 [31.3]	.90 [22.86]	3.08 [78.32]



Ordering Information

Socket Part Number	Contact Quantity	Mating Receptacle Part Number
228-1290-00-0602J	28	228-1290-XX-0602J
232-1291-00-0602J	32	NOT AVAILABLE
242-1293-00-0602J	42	242-1293-XX-0602J
264-1300-00-0602J	64	264-1300-XX-0602J
256-1292-00-0602J	56	NOT AVAILABLE
① 290-1294-00-3302J	90	290-1294-XX-0602J

① Note: This socket is available only in black polyetherimide plastic.

Contact Tail Length:
 XX = 09 Solder Tail w/ flanges
 = 29 Solder Tail w/out flanges

TS-0366-B
 Sheet 2 of 2