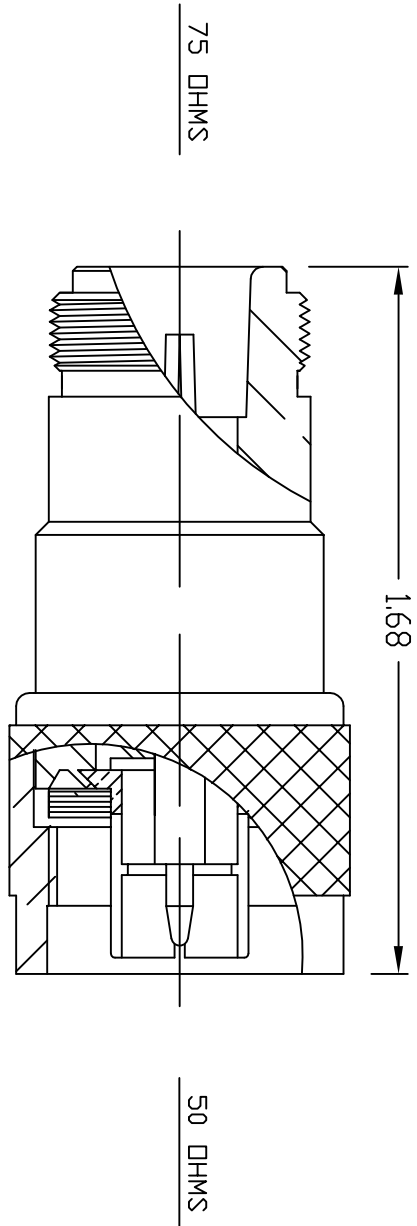


DWG. NO.

25A102

MATERIAL:
BODY: BRASS PER ASTM B 16
CONTACT: BERYLLIUM COPPER PER ASTM B 196
INSULATOR: PTFE FLUOROCARBON, ASTM-D1710
FINISH: PROPRIETARY BRIGHT NICKLE (IP23)
BDDY: GOLD PLATE PER ASTM B 488
CONTACT: GOLD PLATE PER ASTM B 488

IMPEDANCE: 50/75 OHMS
FREQUENCY RANGE: DC TO 1 GHZ
V/SWR: 1.5 MAX
VOLTAGE RATING: 500 VRMS
INSULATION RESISTANCE: 5,000 MEGOHMS
CONTACT RESISTANCE: 2.5 MILLIOHMS MAX.
CENTER: 0.3 MILLIOHMS MAX.
DUTER:
CONNECTOR MEETS M39012



REV	DESCRIPTION	BY DATE	CHKD DATE
B	REDRAWN - SOURIAU FORMAT	DS 9-29-04	RGL 9-29-04

LINEAR MEASURE:	(INCH mm)	(INCH mm)
THIRD ANGLE PROJECTION		
TOLERANCES UNLESS OTHERWISE SPECIFIED		
No. OF PLACES	INCH [mm]	
ONE PLACE	±.1 [±.3]	
TWO PLACES	±0.02 [±.5]	
THREE PLACES	±0.010 [±.25]	
ANGLES ±1°		

DRAWING TITLE
 50 OHM "N" PLUG TO 75 OHM "N" JACK

CAT NO. 25A102-1

CAGE NO. 09922 SIZE: A

CUSTOMER

INTERPRET THIS DRAWING IN ACCORDANCE WITH ASME Y14.5M - 1994

SOURIAU
 Connection Technology
 www.souriau.com

APPROVAL	
DRAWN: DS	9-28-04
CHKD: RGL	9-28-04
DSGN: []	
MFG: []	
QC: []	
DRAWING SCALE: N/A	
DRAWING NO. 25A102	REV B
1 OF 1	