

5

4

3

2

1

D

C

B

A



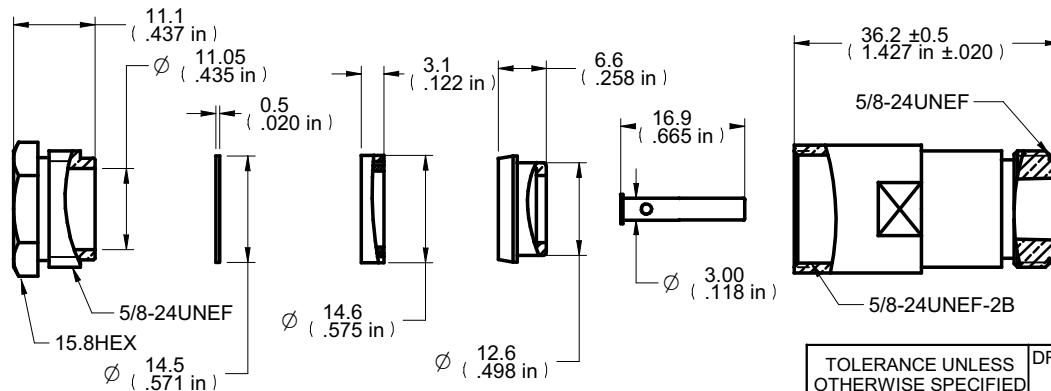
Description: N (F) Solder RG8,11 & 213  
 Part No: 26-8002  
 Application: RG8,11 & 213  
 Crimp Tool: N/A  
 Impedance: 50Ohm  
 Frequency Range: N/A  
 Material:

Body	Brass	Nickel Plated
Nut	Brass	Nickel Plated
Washer	Brass	Nickel Plated
Clamp	Brass	Nickel Plated
Gasket	NBR	
Insulator	PTFE	
Contact	Bronze	Nickel Plated

DRAWING NO. 26-8002			
REVISIONS			
01	OFFICIAL RELEASE		
	08-05-09	I W W H	<i>Betty</i> 2009.09.16 11:02:11 +0800C

受控 CONTROLLED DOCUMENT				
编号 P/N	26-8002-CUST	版本 Rev	01	日期 Rel'd Date
				SEP 17,09

RoHS Compliance: Yes  
 Technical Detail: Refer to Emerson Document P/N 26-0000



**DIM OUTLINE**

TOLERANCE UNLESS OTHERWISE SPECIFIED		DRAWN BY IVON.W	DATE 08-05-09
DECIMALS	mm	CHECKED BY IVON.W	DATE 08-05-09
X	± 0.5	APPROVED BY THOMAS	DATE 08-05-09
X.X	± 0.3		
X.XX	± 0.1		
ANGLES	± 0.5°	U/M	mm

 <b>cinch</b> CONNECTIVITY SOLUTIONS a bel group		
TITLE N (F) SOLDER RG8,11 & 213		
SHEET 1 OF 1	DRAWING NO. 26-8002	SIZE A

THIS DRAWING WAS PRODUCED BY COMPUTER,  
DO NOT SCALE DRAWING OR UPDATE MANUALLY.

5

4

3

2

1

D

C

B

A