

5

4

3

2

1

受控 CONTROLLED DOCUMENT					
编号 P/N	26-8015-CUST	版本 Rev	01	日期 Rel'd Date	SEP 17,09

DRAWING NO.
26-8015

REVISIONS					
01	OFFICIAL RELEASE				
	08-05-09	I	W	T	H

2009.09.11
11:01:20
+0800
Betty

D



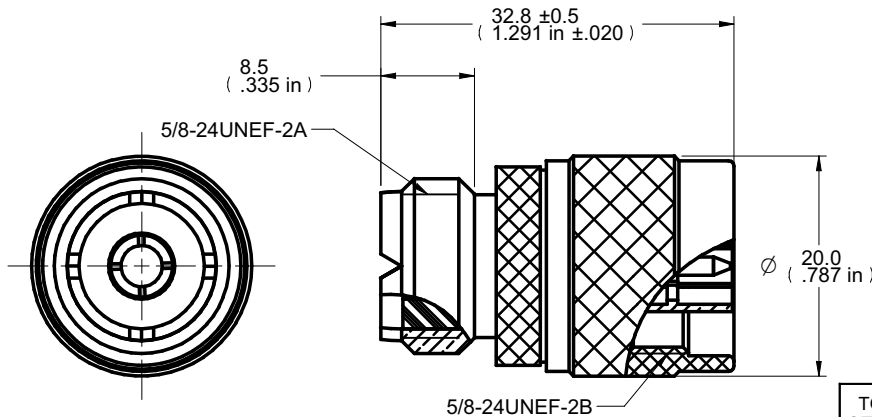
Description: CPAD808 N(M)-UHF(F) Adapter
 Part No: 26-8015
 Application: Adapter
 Crimp Tool: N/A
 Impedance: N/A
 Frequency Range: N/A
 Material: Body Brass Nickel Plated
 Nut Zinc Nickel Plated
 Insulator PTFE
 Contact Brass Gold Plated

C

RoHS Compliance: Yes

Technical Detail: N End Refer to Emerson Document P/N 25-0000
 UHF End Refer to Emerson Document P/N 29-0000

B



A

DIM OUTLINE

CUSTOMER COPY

TOLERANCE UNLESS OTHERWISE SPECIFIED		DRAWN BY IVON.W	DATE 08-05-09
DECIMALS	mm	CHECKED BY IVON.W	DATE 08-05-09
X	± 0.5	APPROVED BY THOMAS	DATE 08-05-09
X.X	± 0.3		
X.XX	± 0.1		
ANGLES	± 0.5°	U/M	mm



TITLE
CPAD808 N(M)-UHF(F) ADAPTER

SHEET 1 OF 1	DRAWING NO. 26-8015	SIZE A
-----------------	------------------------	-----------

THIS DRAWING WAS PRODUCED BY COMPUTER,
DO NOT SCALE DRAWING OR UPDATE MANUALLY.

5

4

3

2

1