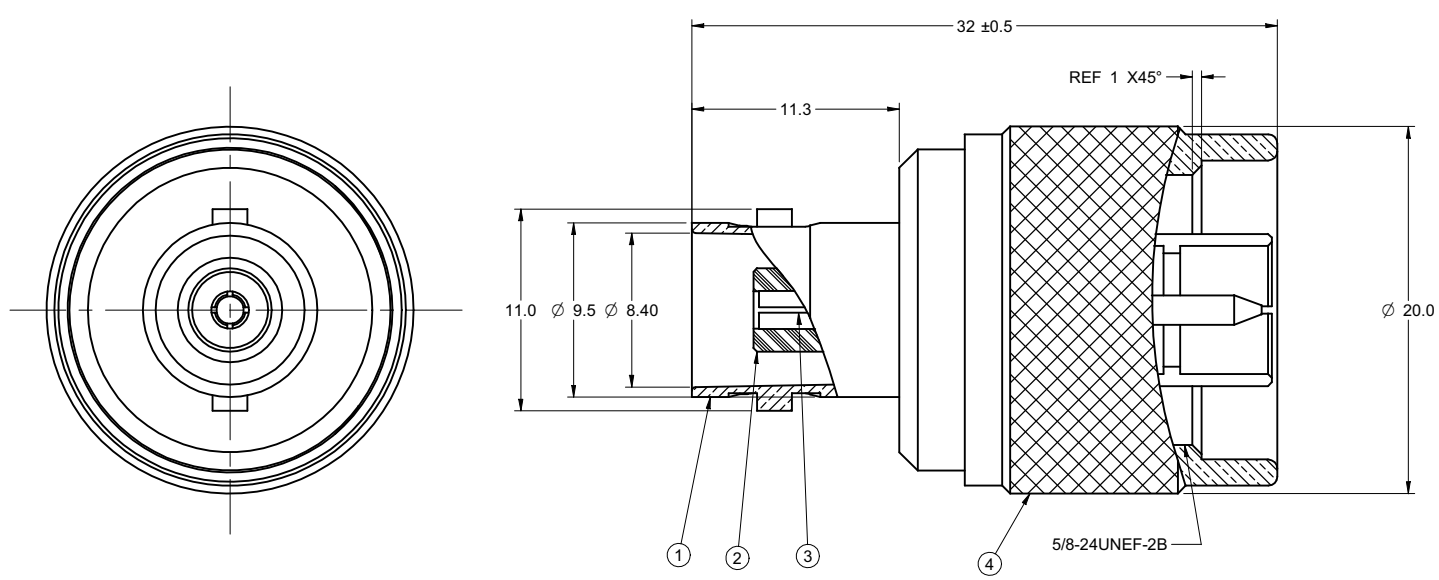
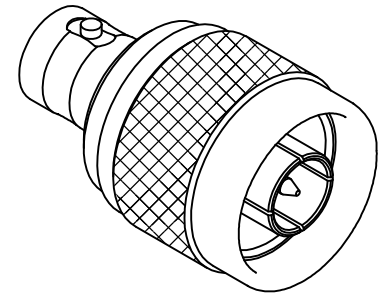


PART NUMBER	ITEM ① BODY	ITEM ② CONTACT	ITEM ③ INSULATOR	ITEM ④ CUPLING NUT
26-8016	BRASS NICKEL PLATED	BERYLLIUM NICKEL PLATED	TPX	ZINC NICKEL PLATED

DRAWING NO. 26-8016	
REVISIONS	
01	OFFICIAL RELEASE
08-28-09	L T W Betty 2000.09.2 08-13-09 1-08-07



受控 CONTROLLED DOCUMENT					
编号 P/N	26-9016	版本 Rev	01	日期 Rel'd Date	SEP 14,09



NOTES:

1. IMPEDANCE: 50 OHMS NOMINAL
2. FREQUENCY RANGE: 0-4 GHz
3. PRODUCT SHOULD BE RoHS COMPLIANCE
4. TECHNICAL DETAIL: REFER TO EMERSON DOCUMENT P/N 26-0000&27-0000.

THIS DRAWING TO BE INTERPRETED
PER ANSI Y 14.5M - 1994

COMPANY CONFIDENTIAL

TOLERANCE UNLESS OTHERWISE SPECIFIED		DRAWN BY LINDA.WU	DATE 08-28-09
DECIMALS	mm	CHECKED BY TERRY.W	DATE 08-28-09
X	+ 0.5	APPROVED BY THOMAS	DATE 08-28-09
X.X	+ 0.2		
X.XX	+ 0.05		
ANGLES	+ 0.5°	U/M	mm

EMERSON Network Power		Connectivity Solutions	
TITLE N PLUG TO BNC JACK			
SHEET 1 OF 1	DRAWING NO. 26-8016	SIZE C	

THIS DRAWING WAS PRODUCED BY COMPUTER,
DO NOT SCALE DRAWING OR UPDATE MANUALLY.