

5

4

3

2

1

受控 CONTROLLED DOCUMENT					
编号 P/N	26-8020-CUST	版本 Rev	01	日期 Rel'd Date	SEP 17,09

DRAWING NO.
26-8020

REVISIONS

01	OFFICIAL RELEASE				2009.09.11
	08-05-09	I	W	T	H

D



Description: CPAD811 N(M)-F(F) Adapter

Part No: 26-8020

Application: Adapter

Crimp Tool: N/A

Impedance: N/A

Frequency Range: N/A

Material: Body Zinc Nickel Plated

Nut Zinc Nickel Plated

Insulator PTFE

Contact Brass Gold Plated

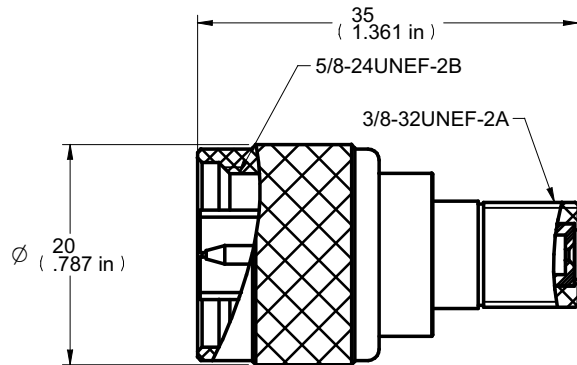
RoHS Compliance: Yes

Technical Detail: N End Refer to Emerson Document P/N 26-0000

F End Refer to Emerson Document P/N 25-0000

C

B



DIM OUTLINE

CUSTOMER COPY

A

TOLERANCE UNLESS OTHERWISE SPECIFIED		DRAWN BY IVON.W	DATE 08-05-09
DECIMALS	mm	CHECKED BY IVON.W	DATE 08-05-09
X	± 0.5	APPROVED BY THOMAS	DATE 08-05-09
X.X	± 0.3		
X.XX	± 0.1		
ANGLES	± 0.5°	U/M	mm



TITLE
CPAD811 N(M)-F(F) ADAPTER

SHEET 1 OF 1	DRAWING NO. 26-8020	SIZE A
-----------------	------------------------	-----------

THIS DRAWING WAS PRODUCED BY COMPUTER,
DO NOT SCALE DRAWING OR UPDATE MANUALLY.

5

4

3

2

1